

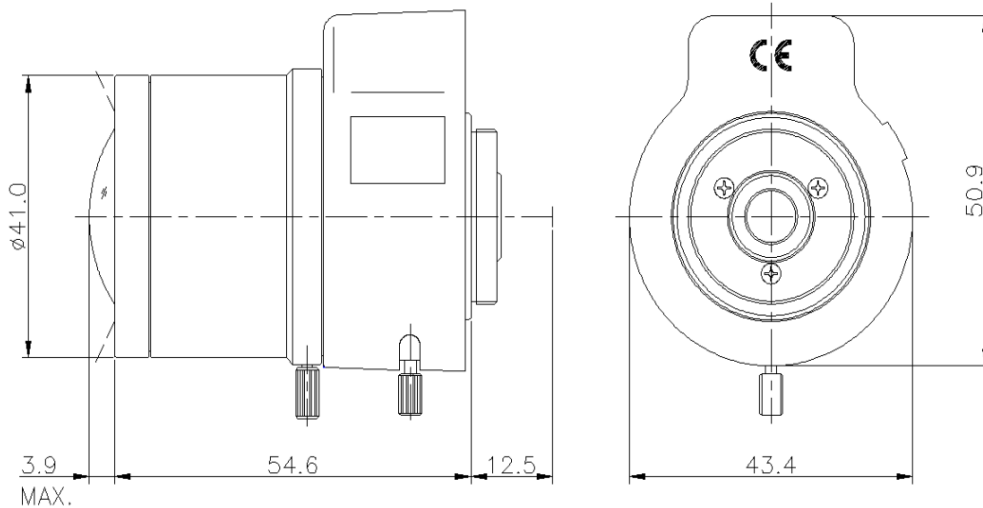
# SCVM246AS DC

f = 2.4~6.0mm F1.2 ~ 360 VARIFOCAL (MEGA-PIXEL)

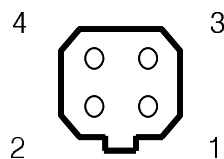
For 1/3" Format Camera

Model No.		SCVM246AS DC		Effective	Front	Ø26.5mm	
Focal Length		2.4~6.0 mm		Lens Aperture	Rear	Ø7.5mm	
Max. Aperture Ratio		1 : 1.2 ~ 360		Back Focal Length		7.8 ~ 13.4 mm	
Max. Image Format (H X V)		4.8 X 3.6		Flange Back Length		12.5mm	
Operation	Iris	Auto(F1.2 ~ 360)		Mount		CS (1"-32 UNF)	
	Focus	Manual		Dimensions (L X W X H)		58.5 X 41 X 50.9	
	Zoom	Manual		Weight			
Object Size at 1m (H X V)	2.4mm	1/3" 134.6 X 87.5cm		1/4" 87.5 X 61.1cm			
	6mm	43.3 X 31.9cm		31.9 X 23.7cm			
Angle of View	D	1/3"	129.4°~56.9°	1/4"	99.8°~56.9°		
	H		105.8°~46°		81.3°~34.7°		
	V		81.3°~34.72°		61.9°~26.2°		
Iris Coil	Drive	190Ω		Operating Voltage	Open	3.5V	
	Control	465Ω			Close	0.5V	
Operating Temperature		-10℃ ~ +50℃		M.O.D		0.3m	

## Dimension



## Wiring Diagram



Unit : mm

1	RED	CONTROL (-)
2	BLACK	CONTROL (+)
3	WHITE	DRIVE (+)
4	GREEN	DRIVE (-)