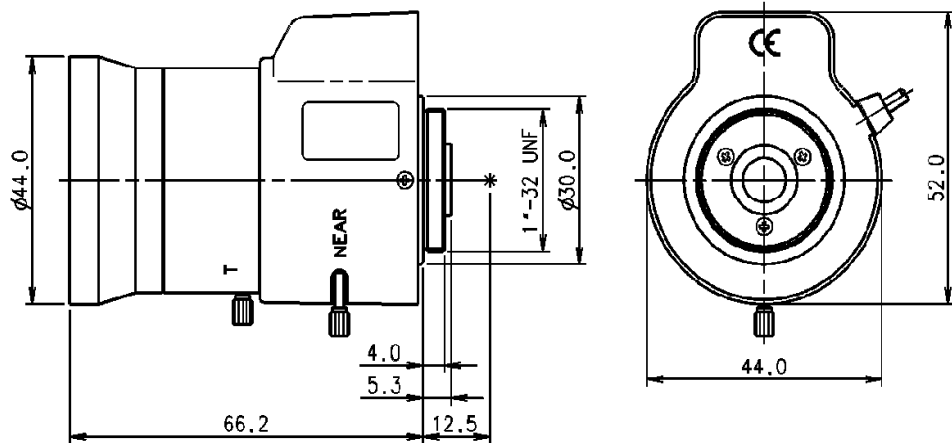


SCV550D IR

f = 5.0 ~ 50mm F1.4 ~ 360 VARIFOCA (INFRARED)
For 1/3" Format Camera

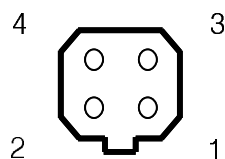
| | | | | | | | |
|-----------------------------|---------|--------------------|------------|------------------------|------------|--------------------|--|
| Model No. | | SCV550D IR | | Effective | Front | Ø37.7mm | |
| Focal Length | | 5.0 ~ 50mm | | Lens Aperture | Rear | Ø10.0mm | |
| Max. Aperture Ratio | | 1 : 1.4 ~ 360 | | Back Focal Length | | 7.6 ~ 11.5mm | |
| Max. Image Format (H X V) | | 4.8 X 3.6 | | Flange Back Length | | 12.5mm | |
| Operation | Iris | Auto(F1.4 ~ 360) | | Mount | | CS (1"-32 UNF) | |
| | Focus | Manual | | Dimensions (L X W X H) | | 66.2 X 44.0 X 52.0 | |
| | Zoom | Manual | | Weight | | 126g | |
| Object Size at 50cm (H X V) | 5mm | 1/3" 49.5 X 36.0cm | | 1/4" 36.0 X 26.6cm | | | |
| | 50mm | 5.0 X 3.8cm | | 3.8 X 2.8cm | | | |
| Angle of View | D | 1/3" | 65.7°~7.2° | 1/4" | 49.5°~5.4° | | |
| | H | | 52.7°~5.7° | | 39.6°~4.3° | | |
| | V | | 39.6°~4.3° | | 29.8°~3.2° | | |
| Iris Coil | Drive | 190Ω | | Operating Voltage | Open | 4.0V | |
| | Control | 700Ω | | | Close | 0.5V | |
| Operating Temperature | | -10°C ~ +50°C | | | | | |

Dimension



Unit : mm

Wiring Diagram



| | | |
|---|-------|-------------|
| 1 | RED | CONTROL (-) |
| 2 | BLACK | CONTROL (+) |
| 3 | WHITE | DRIVE (+) |
| 4 | GREEN | DRIVE (-) |