

TVI IR Bullet Camera

1080P, 36 IR

DTC-2036BIHD

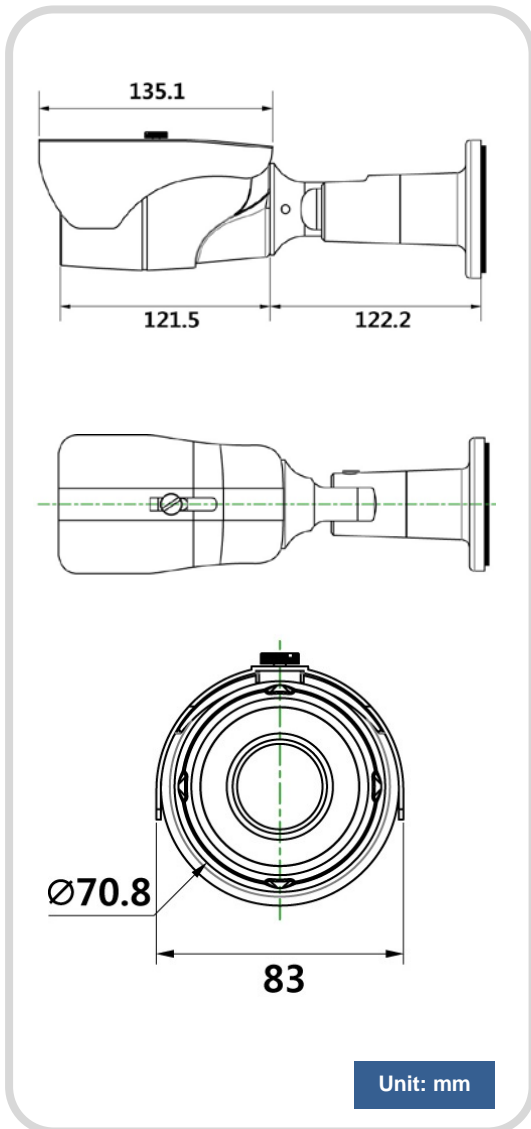
◆ Picture



◆ Feature

- 1/2.8" Sony PS-CMOS Exmor CMOS
- 2.4Megapixel (1080p) Display with TVI format
- Low up to 0.0008Lux with Sens-Up (32x), LED On:0Lux
- Motion Detection(4), Privacy Masking (16), Day/Night with ICR, WDR
- 3DNR (Digital Noise Reduction), Defog, OSD
- UTC (Up to Coaxial), D-Zoom 8x
- Max. Transmission distance (300m) via coaxial cable
- Built-In High Effective IR 36 EA (Visible Distance: 30M)
- Multi Languages (English/Chinese/Korea/Japanese)
- 2.8~12mm DC Auto Iris Lens
- Weather-proof , Outdoor Type

◆ Specifications



◆ Dimensions

MODEL	DTC-2036BIHD
Video	
Image Sensor	1/2.8" 2.4Mega(1080p) PS-Sony CMOS
Scan mode	Progressive Scan
Total number of pixels	2000(H) x 1241(V)
Number of active pixels	1984(H) x 1097 (V)
Resolution	1100 TVL
Minimum illumination	0.0008Lux with Sens-up(32x),LED On:0Lux
Video Output	TVI
S/N Ratio	More than 50dB (AGC Off)
Lens	
Lens	2.8 ~ 12mm MP DC Auto Iris Lens
Iris	DC Auto Iris
Function	
Day & Night	Auto / Color / BW / EXT
White Balance	ATW/MANUAL/AUTO ext/PRESET
AGC	1 -20
DNR	Off / Low / Middle / High
Mirror / Flip	Off / On
Privacy Zone / Motion	16 Zones / 4 Zones
Brightness	Level (1~20)
Shutter	Auto/Manual(1/30/25~1/30000)/FLICKER
Back light	HLC/WDR/BLC
Defog	On/Off
IR LED	
LEDs	36 LEDs (850nm)
Visible Distance	30m
Environment	
Operating Humidity	30 % ~ 90 % RH
Operating Temp.	-30°C~60°C(-22°F~140°F)
Electrical	
Power Consumption	Max 6.5W
Power Supply	DC12V±10%, Dual Type: AC24/DC12V(Optional)
Mechanical	
Construction	Aluminum Body, Acrylic Window
Dimension	243.7mm(L) X 83.0mm(H) X 70.8 Ø
Weight	About 0.9Kg