

USER MANUAL

HDMI Wallplate Type Cat5/Cat6 Extender Support 4K2K

HMI-4K100M-W



FEATURES

- * Incorporates HD Base-T technology
- * Following North American wall standard (2 Gang indoor outlet)
- * Full HD support : 1080p@60Hz@48b/pixels, 4Kx2K and support 3D
- * Extends HDMI and IR up to 328 feet(100 Meters) using one CAT5e(Or Better) cable
- * Extends 4K Ultra up 196 feet(60 Meters) using one CAT5e(Or better) cable
- * With infrared control signal passing through function
- * Support high bit-rate audio formats(Dolby Ture-HD / DTS Master Audio)
- * Both inner and outer power connectors provided
- * UTP cable termination follows the standard of IEEE-568
 - * CEC Pass-Through
 - * DC5V power supply
 - * Compliant HDCP

TABLE OF CONTENTS

Package Contents

Dimensional Drawing

Specifications

Panel Descriptions

Connecting and Operating

Typical Application

Maintenance

Product Service

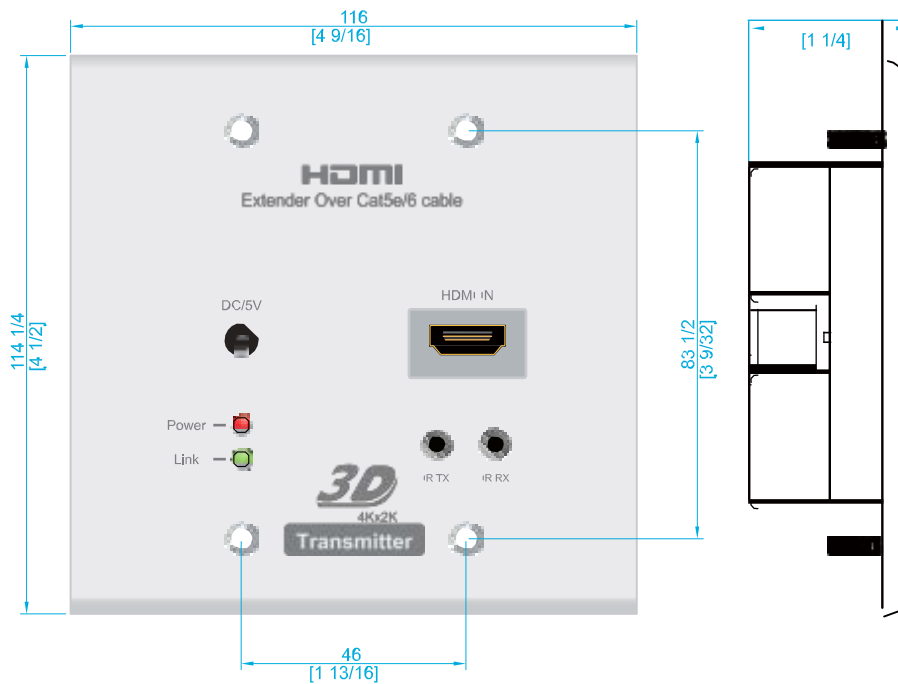
Warranty

Package Contents

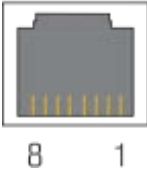
- (1) Main Unit: Transmitter & Receiver
- (2) Power Supply DC5V 2A x 2Pcs
- (3) IR-TX Cable x2Pcs
- (4) IR-RX Cable x2Pcs
- (5) #6 x 5/8" Long Screw x 4Pcs
- (6) Operating Instructions

Dimensional Drawing

(unit : mm)



Specifications

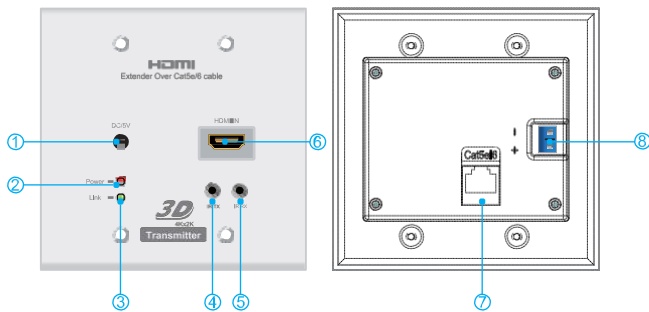
Operating Temperature Range	-5°C to +35°C (+23°F to 95°F)
Operating Humidity Range	5 to 90%RH(No Condensation)
Video Bandwidth	300MHz / 9Gbps
Video Format Supported	Up to 1080P and 4Kx2K
Connectors	HDMI Receptacle RJ45 Power connector terminal Power DC Receptacle RJ45
Transmission Distance	1080P 328FT/100M over single CAT5e/6 cable 4K 196FT/60M over single CAT5e/6 Solid
RJ45 Pin Configuration Reverse Polarity Sensitive Use EIA/TIA 568B Straight-Through Wiring	 <ul style="list-style-type: none"> ① Orange / White ② Orange ③ Green / White ④ Blue ⑤ Blue / White ⑥ Green ⑦ Brown / White ⑧ Brown
Power Supply	110~240V / 5VDC Power Supply
Power Consumption	3Watts(TX) , 5Watts(RX)
Enclosure	ABS Fire retardant plastic
Dimensions	115.5(W) x 114.5(H) x 32.5(T)mm
Weight	(TX)120g, (RX)120g

Note : Specifications are subject to change without notice. Mass and dimensions are approximate.

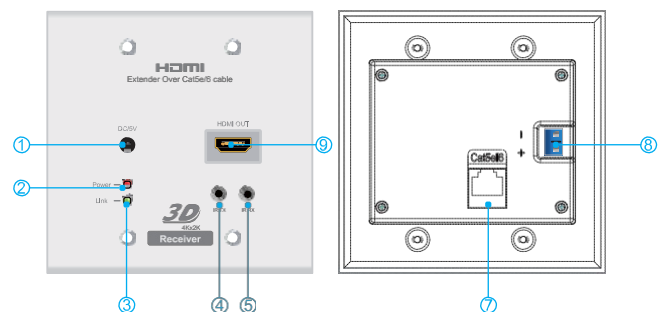
Remark: CAT5e & CAT6 cabling comes in stranded and solid core types.

Panel Descriptions

Transmitter Panel



Receiver Panel



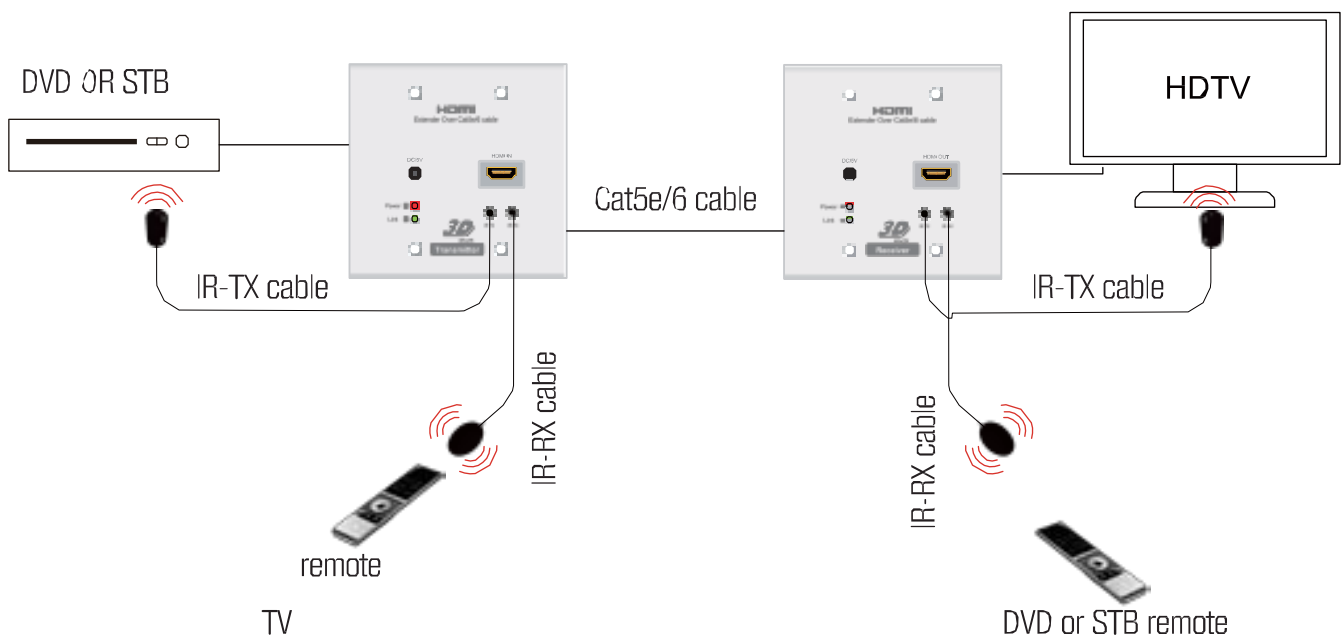
- ① Power input jack
- ② Status of power input: indicates that power is available to the unit
- ③ Status of link: when ON indicates that an HDBase™ link connection has been established between the two boards over the CAT5e/6 cable
- ④ IR-TX Port
- ⑤ IR-RX Port
- ⑥ HDMI input port
- ⑦ RJ45 connector
- ⑧ Power connector : input DC5V 2A
- ⑨ HDMI output port

Connecting and Operating

- ① Connect the HDMI signal source to HDMI transmitter(TX).
- ② Connect CAT5e/6 cable to both the CAT5e/6 port of Transmitter and CAT5e/6 port of Receiver, The RJ45 connections must follow EIA-TIA 568B standards.
- ③ Connect the HDMI output from the Receiver(RX) into the display HDMI input.
- ④ Connect the power supply into power input jack.
- ⑤ Connect IR-TX cable into IR-TX port on the Transmitter and affix the emitter onto the source IR windows.
- ⑥ Connect IR-RX cable into IR-RX port on the Receiver and affix the IR Receiver in direct line of site with the handheld remote control, it is recommended to affix the Receiver on the display frame/bezel or the display stand.
- ⑦ Gently insert/Extract all cable.

Applications

Commercial and residential AV systems, Classroom projector systems, digital signage, Boardroom systems, Collaborative PC systems.



MAINTENANCE

Clean this unit with a soft, dry cloth. Never use alcohol, paint thinner or benzene to clean this unit.

PRODUCT SERVICE

Damage requiring service:

The unit should be serviced by qualified service personnel if:

- (a) The DC power supply cord or AC adaptor has been damaged
- (b) Objects or liquids have gotten into the unit
- (c) The unit has been exposed to rain
- (d) The unit does not operate normally or exhibits a marked change in performance
- (e) The unit has been dropped or the cabinet damaged

Servicing Personnel: Do not attempt to service the unit beyond that described in these operating instructions. Refer all other servicing to authorized servicing personnel.

Replacement parts: When parts need replacing ensure the servicer uses parts specified by the manufacturer or parts that have the same characteristics as the original parts.

Unauthorized substitutes may result in fire, electric shock, or other hazards.

Safety check: After repairs or service, ask the servicer to perform safety checks to confirm that the unit is in proper working condition.

WARRANTY

If your product does not work properly because of a defect in materials or workmanship, our company (referred to as "the warrantor") will, for the length of the period indicated as below, (Parts) 2 Year, Labor (90) Days which start with the date of original purchase ("Limited Warranty period"), at its option either (a) repair your products with new or refurbished parts, or (b) replace it with a new or a refurbished product. The decision to repair or replace will be by the warrantor. During the "Labor" Limited Warranty period there will be no charge for labor. During the "Parts" warranty period, there will be charge for parts. You must mail-in your product during the warranty period. This Limited Warranty is extended only to the original purchaser and only covers product purchased as new. A purchase receipt or other proof of original purchase date is required for Limited Warranty service.