

USER MANUAL

HDMI 4x1 Switcher V1.4

HMX-A4

INTRODUCTION

Dear customer

Thank you for purchasing this product. For optimum performance and safety, please read these instructions carefully before connecting, operating or adjusting this product. Please keep this manual for future reference.

Our series of HDMI Converter, switchers, extenders, matrixes and splitters are designed to make your A/V device use more convenient, more comfortable, more productive and more cost-efficient.

This 4X1 HDMI Switcher 1.4V with ARC,HEC,3D and High Fidelity function can connect multi HD Sources with one HD display end. It can switch any one of the four HD Sources to one HD Display or HD Projector very easily. Also the signal can support extra audio out by the optical cable. Without adding one extra HDMI Cable, it can reverse the audio to the AV Amplifier by HDMI Cable connection with HD TV while the HD TV receive the audio and video content. It allows the other HDMI Devices based the Ethernet and other HDMI devices enjoy the Ethernet function, so that you do not need to add one extra ethernet cable.

Our devices offer solutions for noise, space and security concerns, data center control, information distribution, conference room presentation, school and corporate training environments.

FEATURES

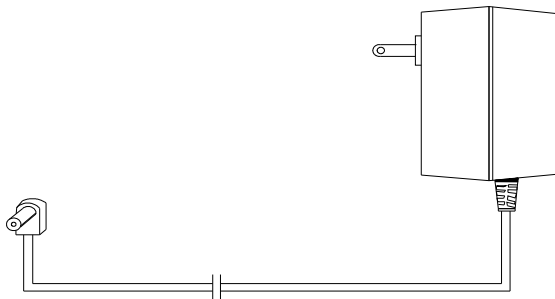
- Four HDMI input signals switched to one single HDMI sink devices
- Any input signal can be supported that have extra audio out by the optical cable.
- Support 3D
- Support ARC Function: Without adding one extra HDMI Cable, it can reverse the audio to the AV Amplifier by HDMI Cable connection with HD TV while the HD TV receive the audio and video content.
- Support HEC Function: It allows the other HDMI Devices based the Ethernet and other HDMI devices enjoy the Ethernet function, so that you do not need to add one extra ethernet cable.
- With HDMI-CEC function.
- Support deep color 30bit, 36bit
- Support Blue-Ray 24/50/60fs/HD-DVD/xvYCC

-
- Digital audio format, as DTS-HD/Dolby-trueHD/LPCM7.1/DTS/Dolby-AC3/DSD
 - Support signal retiming
 - Support input up to 15metres using AWG24 HDMI standard cable length, output up to 25metres using AWG24 cable length
 - Inputs can be switched with the IR remote control , also can be controlled by two buttons.
 - Optical Audio Output Format:DTS-HD/Dolby-trueHD/LPCM7.1/DTS/DOLBY-AC3/DSD, HIFI Audio format depends on the Audio Source.
 - It can come back to the default the input 1 status when restarted or reset.
 - No loss of quality
 - Installs in minutes
 - Need DC5V/2A power supply
 -

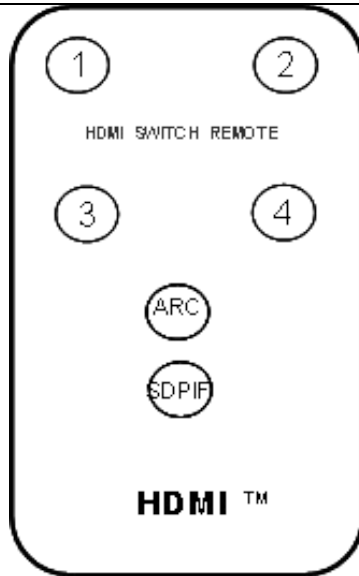
The accessories with the machines list as picture:

- 1. 5V Power Adaptor
- 2. Remote
- 3. one pc of Manual

Power Adaptor



Remote



Physical Connection Showing Picture:



Figure 1.0 Front Panel Showing Picture

ON/OFF: Power Switch

POWER : Power led status light

IR: IR Receiver

OUT: HDMI output led status light

1- 4: HDMI input led status light

Switcher: HDMI Signal Input Switcher Key

ARC: The switchinng key for starting the outside AV Amplifier and switching the speaker of the TV voice volumn.

SPDIF: The key of switching the HD Channel programs audio signal or the HD Source audio signal to outside AV amplifier.

Figure 1.1 the both side board showing picture

- OUT: HDMI output interface
- SPDIF: SPDIF output interface
- HEC : Internet interface
- INPUT1: HDMI Signal input interface

Figure 1.2 rear panel showing picture

- DC/5V : 5V DC-DC input interface
- INPUT2- INPUT4: HDMI input interface

Operating and Connecting:

1. Connect one cable from each HDMI source devices into HDMI Switcher inputs.
2. Connect one cable from display (monitor or projector) into the HDMI Switcher outputs.
3. Connect the AV Amplifier with the optical audio out by optical cable.
4. Use the IR or pressing the switcher key in the device to switch the four HD Sources with ARC,SPDIF function.
5. Connect 5V power supply to the HDMI 4x1HIFI Switcher.

SPECIFICATIONS:

HDMI resolution	24/50/60fs/1080p/1080i/720p/576p/576i/480p/480i
Support video color format	24bit/deep color 30bit,36bit
Support audio format.....	DTS-HD/Dolby-trueHD/LPCM7.1/DTS/Dolby-AC3/DSD
Audio output.....	SPDIF
Max transmission bandwidth.....	225MHz

Max baud rate.....	6.75Gbps
Input/Output TMDS signal	0.5~1.5Volts p-p
Input/Output DDC signal	5Volts p-p (TTL)
Input cable distance.....	≤15m AWG24 HDMI standard cable
Output cable distance.....	≤25m AWG24 HDMI standard cable
Max working current.....	900mA
Power adapter format.....	Input: AC (50HZ, 60HZ) 100V-240V; Output: DC5V/2A
Operating Temperature range.....	(-15 to +55°C)
Operating Humidity range.....	5 to 90%RH (No Condensation)
Dimension (L x W x H)	134x89x22 (mm)
Weight.....	330g

IR Remote Operating Instruction

1. Firstly take off the plastic film in the rear of the remote board.
2. If you want to select any of the four signal sources to the output, press the 1,2,3, or 4 key .Like if you want to switch the 2 input signal to the output, press the 2 key directly.
3. The up/down key in board is for switching the signal to the output circulatedly.
4. Pressing the ARC key to start the outside AV Amplifier or TV speaker , and pressing the SPDIF key to switch the HD TV program audio signal or the input source audio signal to the outside AV amplifier.
5. The plastic film is strongly advised to put it in the rear of the remote board when the

remote is not used for long time.

Notes:

Pls use the machine as the instruction listed to keep the long use lifetime of the machine.

1. The machine should be placed at the spot far from the Damp, High-Temperature, Dusty, Erosive, and oxidative environment.
2. All parts will be free from the strong shake, hit, fall.
3. Touching the power adaptor with the wet hands is prohibited.
4. Pls hold the power adaptor head and do not pull the power cord when cut off from the socket.
5. Pls turn the power off when the machine is not used for long time.
6. Pls do not open the cover and do not touch the inside parts.
7. Pls use the original factory power adaptor.

Before power on, pls check the connection line carefully. And make sure that all interfaces are normally connected. The common trouble shooting way shows below:

Serial NO	Trouble Description	Cause and Ways to deal with
-----------	---------------------	-----------------------------

1	Non-Power-Connected	<ol style="list-style-type: none"> 1. Check if the power adaptor head is truly and correctly inserted the power socket. 2. Check the power switch if it is in on status.
2	No Picture	<ol style="list-style-type: none"> 1. Pls to make sure that the TV is on and has been connected with the machine,. 2 .To check if the signal source is on and well connected. 3. Check the system connection quality. 4. Check if the line is all good quality. 5. Check the cable quality..
3	Obscure Picture	<ol style="list-style-type: none"> 1. To try again to connect the cable to be free from the unsuccessful connection. 2. HDMI Cable Quality
4	Remote	<ol style="list-style-type: none"> 1. Pls check if the film that stops the current has been taken out. 2. To check if the remote battery is working well.