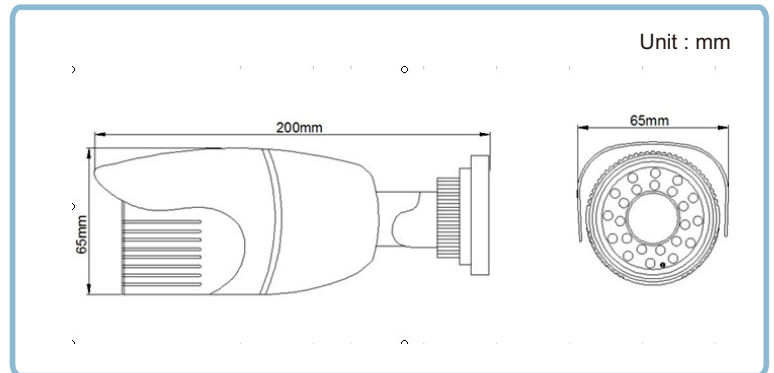


VIR-410SDI-15IR



- 1080P FULL HD High Definition
- Lens : 3.6mm Megapixel Lens
- Easy OSD Setting Interface
- Day and Night Auto Switching Mode(Automatic ICR module)
- Support WDR / 3D-DNR Mode
- Supports Digital Zoom Mode
- Support Motion Detection Mode
- HD-SDI Output : HD-SDI (SMPTE292M)/Analog Output
- IP Rating: IP66
- IR LEDs / IR Distance :23pcs / 15M-20M



Specification	VIR-410SDI-15IR
Imaging Module	
Camera Type	IR Camera
Image Sensor	Sony 1/2.8" 2M Pixel CMOS Sensor
Effective Pixels	1920(H) X 1080(V)
Image Resolution	1920 X 1080P @ 30fps (HD-SDI)(1080P)
Sens-Up	x2~x30
Illumination	Color Mode : 0.1Lux @F1.2 0.002(DSS 3X) Black And White Mode : 0.01Lux @F1.2 0.0002(DSS 3X)
D-WDR	Off / High / Medium / Low
HD-SDI Signal Output	BNC Port HD-SDI x 1
Analog Video Signal Output	BNC Port Composite Signal x1(75Ω)
Noise Ratio(S/N Ratio)	50dB (AGC Off)
Lens Mode	3.6mm Megapixel Lens (Optional 2.8mm/6mm Megapixel Lens)
Lens Mount Mode	Board Mount
IR-Cut(ICR)	Built-in Mechanical Dual Filter
Screen Settings Menu(OSD)	English / Chinese
Day and Night Display Modes	Automatic Switching
Electronic Shutter	Auto 1/30(25)~1/50,000
AGC	OSD Setup (Close / Medium / High)
Backlight Compensation	On / Off
Auto White Balance	AWB / MWB
Dynamic Noise Reduction	High / Middle / Low / Off
Image Flip Horizontal	On / Off
Infrared Illuminator	23PCS 5Ømm High-power infrared LED
IR Distance	15M
Digital Zoom	On / Off
Image Masking	On / Off
Motion Detection	On / Off
Color Bar	On /Off
Power Supply	12VDC
Operating Temperature	0°C ~ + 50°C / ~ 90% RH
Dimensions	672*335*263mm
Weight	0.9Kg

- Network Equipment
- Analog Equipment
- HD-SDI Equipment
- Video Transmission Equipment
- Matrix System Equipment
- Stainless Camera Housing
- System Accessories
- Camera Lens
- Modular Camera
- System Keyboard
- IR Illuminators