

FULL HD Speed Dome Camera

HD/Full HD 720P/1080P

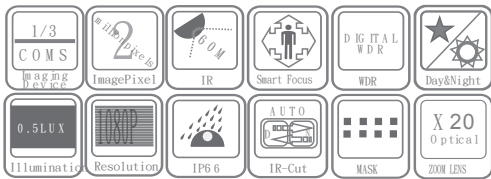
VHP128-20B-SDI/VHP128-20B-SDI-IR



VHP128-20B-SDI



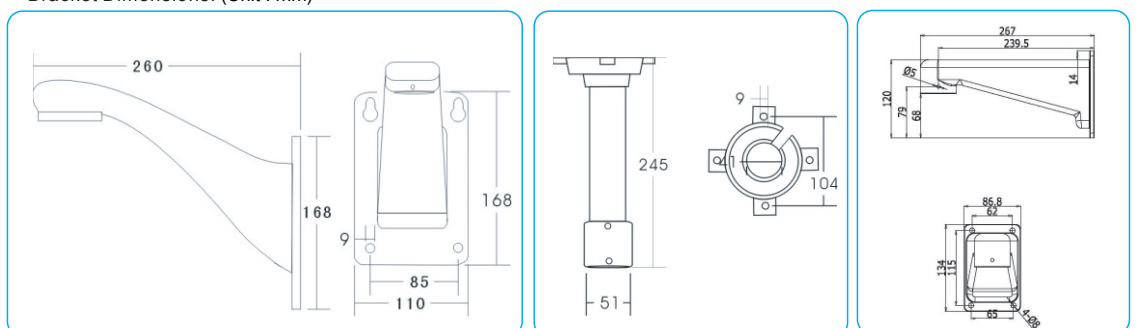
VHP128-20B-SDI-IR



- The new generation of dot-matrix infrared light, evenly distributed light field image screen brightness uniformity;
- Visual distance of 60 meters
- SDI broadcast high-definition digital signal output.
- Built-in OSD menu, convenient parameter setting functions
- Accurate preset, low noise design
- Alloy double structure design, dustproof and waterproof built-in thermostat
- Built-in 2.0 megapixel HD analyze low-light cameras.
- Focal length matching with PTZ speed
- 360 ° horizontal rotation, vertical 90 °, no blind spot monitoring to achieve
- Pan speed 0.1 ° - 360 ° / s, vertical 0.1 ° -180 ° / s vertical 180 ° auto flip
- 128 preset points and 8 groups patrol track,each linkage 16 preset points.
- Two scans, Rye bit, multi-point scanning
- Automatic operation memory function, power failure restart after power failure before the action execution state
- Can withstand the test of high-temperature environment -30°C ~65°C (-22°F ~149°F)
- Seven alarm inputs, two alarm outputs
- Built-in 3000V lightning protection, surge and anti-surge protection
- Camera with fan cooling patented device, effectively improve the reliability (Optional)

	VHP128-20B-SDI	VHP128-20B-SDI-IR
Camera		
Image sensor	1/3-type Exmor TM CMOS imager	
Effective pixel	Approx 2.0 Megapixels	
Image size (H x V)	1920 x 1080, 1280 x 720, 720 x 480, 720 x 576	
Min. illumination	Minimum Illumination: Less than 1.7 lx (F1.6, 50 IRE), 0.5 lx in High Sensitivity Mode	
White balance	Auto / Manual	
AGC	Auto / Manual	
S / N ratio	More than 50 dB	
Sync system	Internal	
Backlight compensation	ON/OFF	
Wide Dynamic	WDR / Senior wide dynamic (WDR/AD-WDR)	
Shutter speed	1/2 to 1/10,000 s, 21 steps	
Day & Night	IR Cut Filter	
Digital zoom	10X	
Privacy mask	8 privacy masks programmable, optional multiple colors and mosaics	
Focus model	Auto / Semiautomatic / Manual	
Lens		
Focal length	20x Optical Zoom, f=4.7 mm (wide) ~ 94.0 mm (tele, F1.6 to F3.5)	
Zoom speed	Approx. 5.8 s(Optical Wide-Tele)	
Angle of view	1080p mode : 55.2°(wide end) to 3.2°(tele end)	
Min. working distance	10 mm (wide end) to 1,000 mm (tele end)	
Aperture range	F1.8 to F2.2	
Pan and Tilt		
Video Output	0.8Vp-p,75Ω BNC SDI output	
Pan / Tilt Range	Pan: 360°(Continuous rotation); Tilt: -0° ~90° (Auto Flip)	
Pan / Tilt Speed	Pan Manual Speed: 0.1° ~180°/s, Pan Preset Speed: 360°/s Tilt Manual Speed: 0.1° ~120°/s, Tilt Preset Speed: 180°/s	
Proportional Zoom	Rotation speed can be adjusted automatically according to zoom multiples	
Number of Preset	128	
Patrol	4 patrols, up to 16 presets per patrol	
Pattern	4 patterns	
Power-off Memory	Support	
Home Position	Support	
PTZ Position Display	Support	
OSD	Support	
Preset Freezing	Support	
Zone Scanning/Display	Scanning within programmed zone, display zone title	
Camera Title	Programmable title display	
Compass	Support , the north can be set	
Scheduled Task	Support	
Infrared		
IR Range	None	Up to 60m
IR	None	A new generation of dot-matrix infrared light
Alarm		
Alarm Input	7 alarm inputs	
Alarm Output	2 outputs	
Alarm Action	Trigger switch output	
System		
Video Output	HD-SDI Output	
Signal System	HD: 1080p/29.97, 1080p/25, 1080i/59.94, 1080i/50, 720p/50, 720p/29.97, 720p/25, SD: NTSC / PAL	
General		
RS-485 Protocols	DIP switch settings	
Power	AC24V±15% , 50/60Hz	
Working Temperature	-30°C ~65°C (-22°F ~149°F)	
Humidity	90% or less	
Protection Level	IP66 / 3000V lightning protection, anti-surge	
Camera Bracket	Ceiling Mounting Bracket / Wall Mounting Bracket	
Dimensions	Approx. 230*230*375mm	Approx. 295 *295* 475 mm
Weight	Approx. 4.5Kg	Approx. 6.5KG

Bracket Dimensions: (Unit : mm)



Network Equipment

Analog Equipment

HD-SDI Equipment

Transmission Equipment

Matrix System Equipment

Stainless Camera Housing

System Accessories

Camera Lens

Modular Camera

System Keyboard

IR Illuminators