

HD-SDI Dome Camera

Full HD, 24IR

DMC-2024EC

◆ Picture

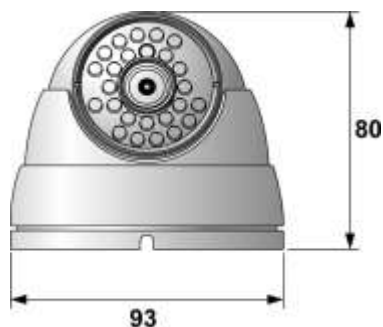


◆ Feature

- 1/3" PS-Panasonic CMOS
- Full HD 2.2 Megapixel (1080p) Display
- Low up to 0.08Lux, LED On: 0Lux
- Day/Night with ICR
- Auto DNR (Digital Noise Reduction)
- Max. Transmission distance (200m) via coaxial cable(5CHFBT)
- SMPTE 292M(HD-SDI)
- 3.6mm Fixed Mega Pixel Lens
- Built-In High Effective IR 24 EA (Visible Distance: 15M)
- Aluminum housing, IP65



◆ Dimensions



Unit: mm

◆ Specifications

MODEL	DMC-2024EC
Video	
Image Sensor	1/3" 2.2 Mega(1080p) Panasonic CMOS
Scan mode	Progressive Scan
Total number of pixels	2010(H) x 1108 (V), 2.2M
Number of active pixels	1944(H) x 1092 (V)
Resolution	1,100 TVL
Minimum illumination	0.001Lux with Sense-up(8x)
Video Output	HD-SDI, SMPTE-292M
S/N Ratio	More than 50dB (AGC Off)
Lens	
Lens	3.6mm Varifocal Mega Pixel Lens
Iris	Electric Iris
Function	
Day & Night	Auto
White Balance	Auto
AGC	Auto
DNR	Auto
Shutter	Auto
IR LED	
LEDs	24 LEDs (850nm)
Visible Distance	15m
Environment	
Operating Humidity	30 % ~ 90 % RH
Operating Temp.	- 20°C to 50°
Electrical	
Power Consumption	Max 3.5W
Power Supply	DC12V±10,
Mechanical	
Construction	Aluminum body , Acrylic Window
Dimension	93 mm(W) X 80mm(D)
Weight	About 0.54Kg