

# MODEL NO. : LRM-7531

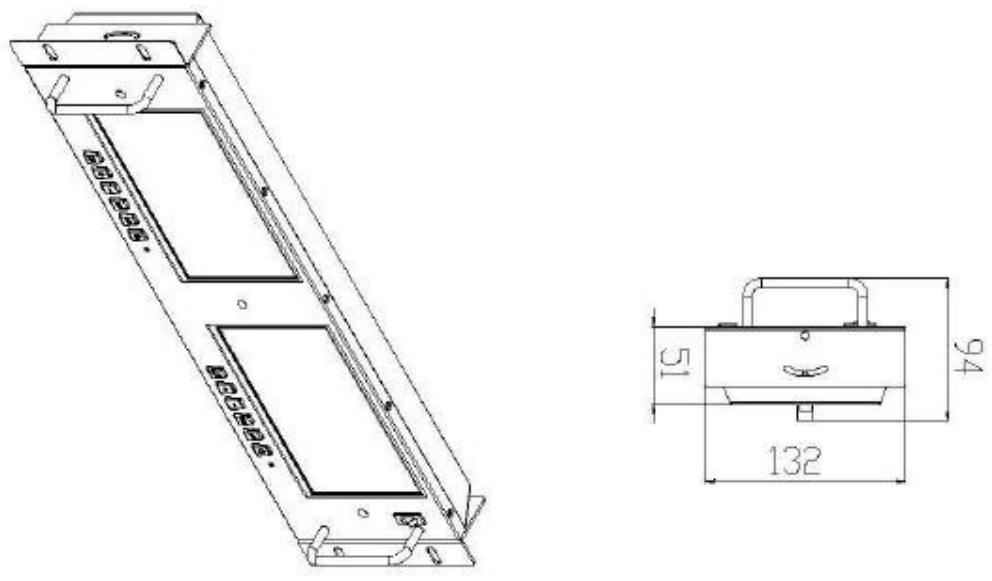
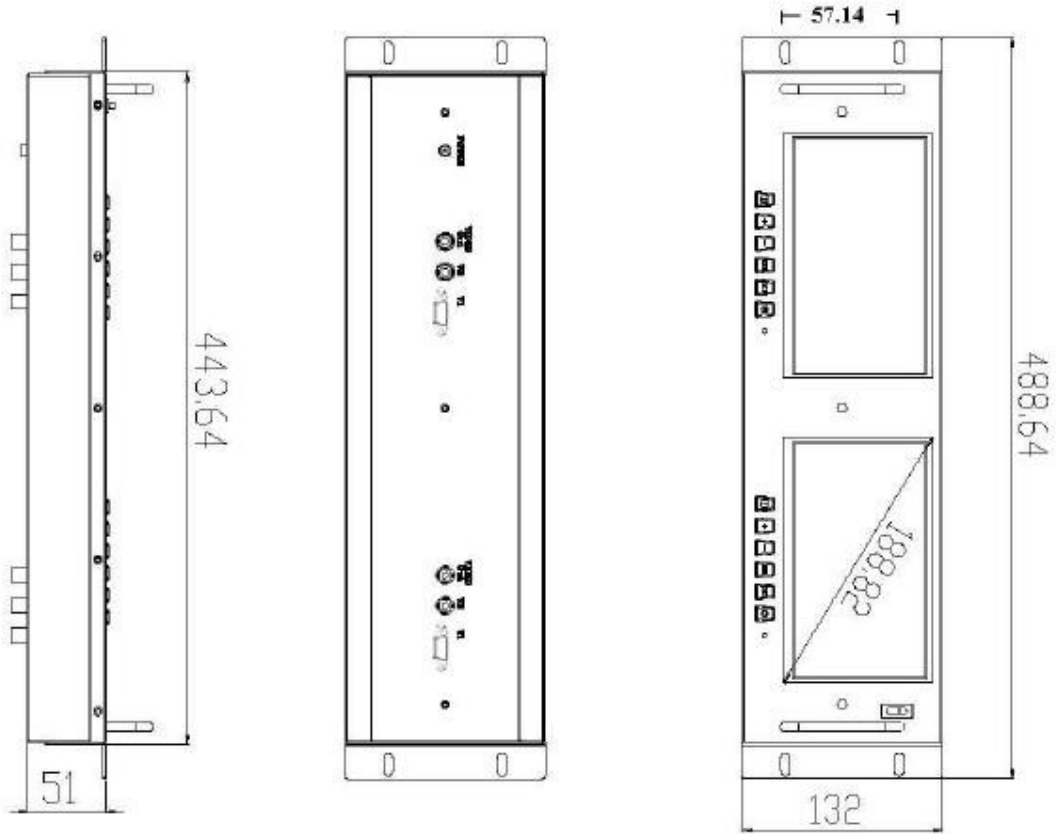
## SPECIFICATION

◆ DISPLAY SCREEN	SCREEN SIZE	7 INCH (LED)	
	ACTIVE AREA	154.08(W)x86.58(H)	
	ELEMENT	COLOR TFT LCD	
	RESOLUTION	1440(W) x 234(H)	
	DOT PITCH	0.107(W) x 0.370(H)	
◆ VIDEO SYSTEM	NTSC or PAL System		
◆ NTSC	$f_H$ : 15.75 KHz	◆ PAL	$f_H$ : 15.625 KHz
	$f_V$ : 60 Hz		$f_V$ : 50 Hz
	$f_C$ : 3.58 MHz		$f_C$ : 4.43 MHz
◆ POWER SOURCE	DC 12V		
◆ VIEWING ANGLE	Vertical+10 Deg/ -30 Deg		
	Horizontal 45 ± Deg		
◆ BRIGHTNESS	280 cd/m <sup>2</sup>		
◆ POWER CONSUMPTION	7W Max.		
◆ OPERATING TEMPERATURE	-40°C ~ 95°C		
◆ STORAGE TEMPERATURE	-30°C ~ 85°C		
◆ LCD SCREEN	195.70(W) x 136.20(H) x 36(D) (mm)		
◆ OVERALL DIMENSION	489.00(W) x 131.82 (H) X 66.00 (D) (mm)		
◆ WEIGHT	3500 ±10 g		

## FEATURES

1. 7" X 2 LCD Screens
2. 1 VGA INPUT, 1 VIDEO BNC INPUT, 1 VIDEO BNC OUTPUT
3. Left & Right, Up/ Down Reverse Image
4. Low Power Consumption.
5. 12V DC Drive
6. OSD Control: Brightness, Contrast..

□ MECHANICAL DIMENSION □



□ **VGA SUPPORT TABLE** □

Resolution	Horiz. Freq.(KHz)	Vert. Freq.(Hz)	Polarity
640X350	31.46	70	+/-
	37.86	85	+/-
720X350	31.46	70	+/-
	37.86	85	+/-
640X400	31.46	70	-/+
	37.93	85	-/+
	24.82	56	-/+
720X400	31.46	70	-/+
	37.86	85	-/+
640X480	31.46	59.9	-/-
	35.00	66.6	+/-
	37.86	72.8	-/-
	37.50	75.0	-/-
	43.27	85.0	-/-
800X600	35.15	56.2	+/+
	37.87	60.3	+/+
	48.07	72.2	+/+
	46.87	75.0	+/+
	44.40	70.0	+/+
	53.67	85.0	+/+
832X624	49.72	74.5	-/-
1024X768	48.36	60.0	-/-
	56.47	70.1	-/-
	58.08	72.9	
	60.02	75.0	+/+
	68.68	84.9	+/+
1152X864	54.90	60.0	
	64.19	70.2	+/+
	67.50	75.0	-/-
	76.30	80.0	
	77.09	84.9	
1280X1024	64.60	59.9	+/+
	63.98	60.0	-/-
	74.40	59.3	
	78.72	74.0	
	79.97	75.0	