

# MODEL NO. : LM-7723

## □ SPECIFICATION □

DISPLAY SCREEN	SIZE	7 Inch Digital Screen
	Active Area	154.4(W) x 91.44 (H)mm
	ELEMENT	COLOR TFT LCD 262K(18Bit)
	RESOLUTION	800 x 600
	DOT PITCH	0.0635 (W) x 0.1905 (H)mm
◆ VIDEO INPUT	NTSC and PAL System	
NTSC	$f_H$ : 15.75 Khz	<b>PAL</b> $f_H$ : 15.625 Khz
	$f_V$ : 60 Hz	$f_V$ : 50 Hz
	$f_C$ : 3.58 MHz	$f_C$ : 4.43 MHz
◆ INPUT CONNECTOR	Video In x2 RCA , Video Out x1 RCA	
	Audio In x1 RCA, Audio Out x1 RCA	
◆ OPTICAL RISE TIME/FALL TIME	Tr=15 msec, Tf=35 msec	
◆ BACKLIGHT	LED (WHITE)	
◆ POWER CONSUMPTION	DC 12V 320mA, 3.84W	
	DC 24V 160mA, 3.84W.	
◆ OPERATING TEMPERATURE	-10°C ~ 60°C	
◆ STORAGE TEMPERATURE	-30°C ~ 80°C	
◆ BRIGHTNESS	450 cd/m <sup>2</sup>	
◆ CONTRAST	400 : 1	
◆ VIEWING ANGLE	Vertical $\pm 40^\circ$ , Horizontal : $\pm 60^\circ$	
◆ LCD SCREEN	305.0 x 256.0 x 44 (mm)	
◆ OVERALL DIMENSION	231.12( W) x 164.0(H) x 91.86(D)	
◆ WEIGHT	2500 $\pm$ 100 g	

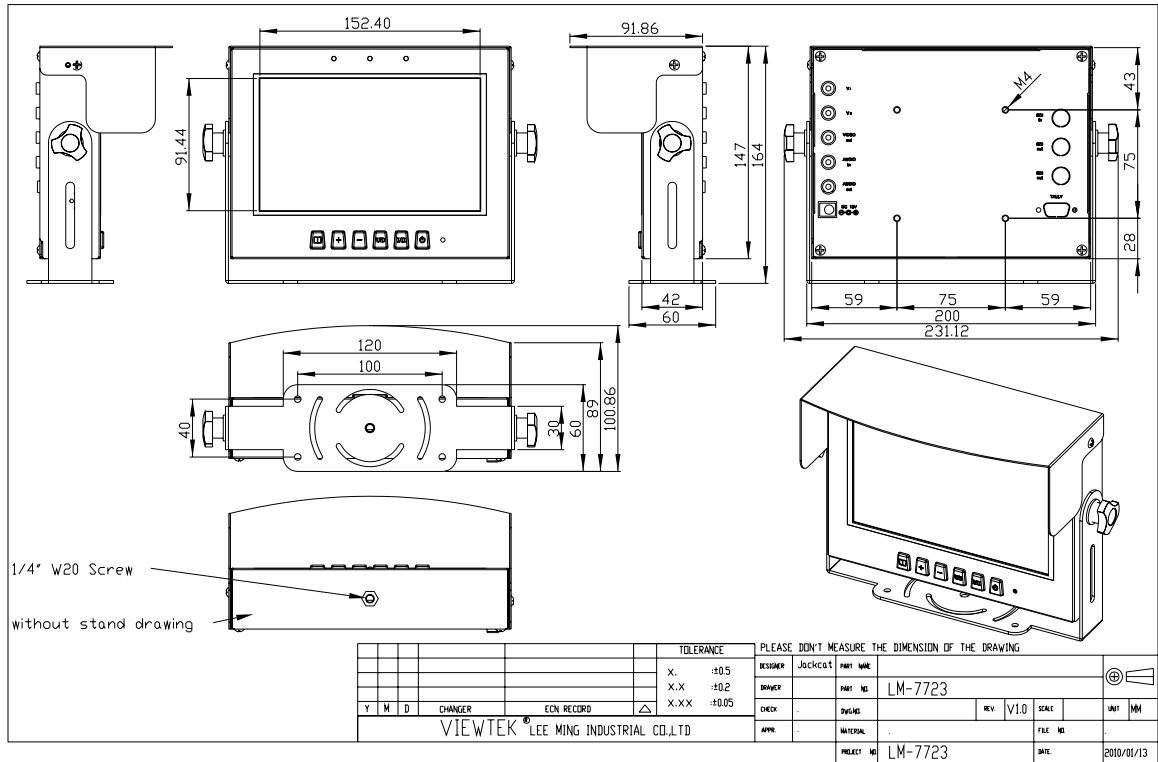
## □ FEATURES □

High Definition Resolution  
LED Back Light , Low Power Consumption  
DC/DC DC/AC Video Decoder All In One  
NTSC/PAL Video Input Auto-Switch  
Up/Down , Left/Right, Image Reverse Function  
12V ~ 24V Wide Operating Voltage

# APPLICATIONS

- ◆ Security
- ◆ Broadcasting
- ◆ Video Game
- ◆ Door Phone
- ◆ Video Phone
- ◆ Portable TV
- ◆ Center Control Room
- ◆ Instrument Display
- ◆ High Performance Display

# MECHANICAL DRAWING



Record of Revision

<b>Version and Date</b>	<b>Page</b>	<b>Old Description</b>	<b>New Description</b>	<b>Remark</b>
V.1.2 ,0113-2010	3	LM-7723New model	LM-7723 New Model	