

***TELIKOU* Intercom System**

MF-410 Main Station

Instruction Manual

© **TELIKOU Systems**

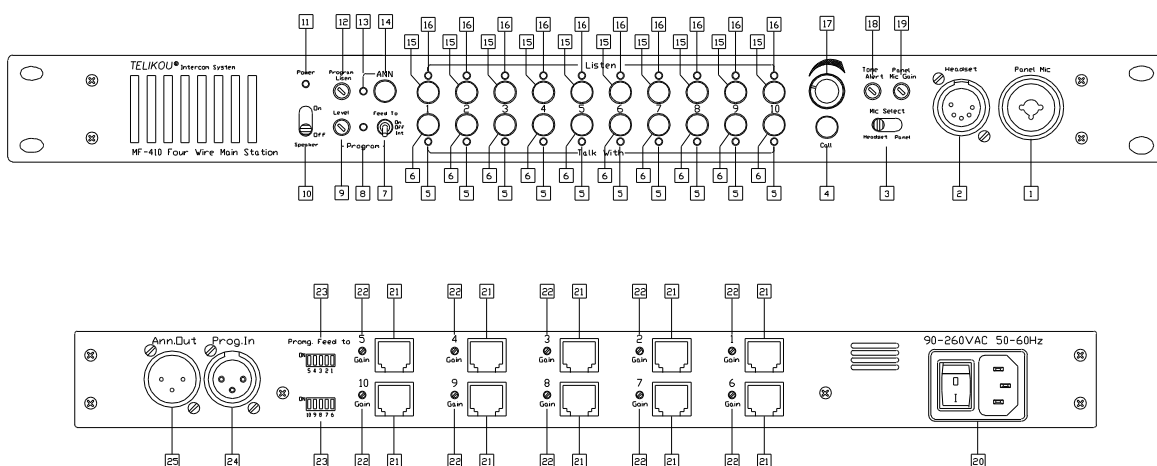
All Rights Reserved

I. Introduction

Thank you for choosing TELIKOU intercom product. MF-410 is a ten channel four wire main station. Each channel can either directly use headset to make an economic system, or use ten pieces MF-410 to make a simple matrix. MF-410 main station is suitable for television station, communication center, UB truck, live performance and any other environment which requires communication. We recommend you read through this manual to better understand the functions of MF-410.

This system adopts wired connection, and has following features, stable and reliable performance, flexible configuration, full-duplex communication, clear and loud communication sound, easy operation, and strong noise resistance.

II. Basic operations



Front Panel

1. Panel Mic Connector

This is a double-purpose connector, supports XLR-3M and 1/4inch plug unbalanced microphone. The microphone type can be dynamic or electric.

The wiring of XLR-3M is as follow:

- Pin 1 -- Mic common
- Pin 2 -- Mic hot
- Pin 3 -- Null

2. Headset connector

4-pin XLR Male or 5-pin XLR Female

EARPHONE: Dynamic 50-2000 ohm

MICROPHONE: Dynamic 100-600 ohm

The wiring of headset is as follow:

Pin 1—Mic. common

Pin 2—Mic. hot

Pin 3--headphone common

Pin 4--headphone hot

Pin 5—Null

3. Microphone Select Switch

Microphone select switch is used to select panel microphone or headset microphone.

4. Call Button

When press call button, MF-410 will sent a call signal to all activated channels. It will also light the red call light for the corresponding channel.

5. Talk/Call Light (bi-colored light)

When talk button is pressed on, the corresponding channel light lights green. The call signal lights the red light.

6. Talk With Button

Button 1~10 corresponds to 1~10 channel. Press the talk button activates the corresponding channel. The LED below will light (GREEN). Press button again kill the corresponding channel.

7. Program Feed To

Turn the switch up or down will send the external signal into intercom channels.

ON: All the channels always receive external program signal.

OFF: External program signal cannot be sent into system.

INT: All the channels receive external program signal. It will be interrupted when talk with switch is turned on.

8. Program Feed To LED

This LED lights when Program Feed to switch handle is placed at 'On' and 'Int'.

9. Program Level Control

Adjust program audio (background audio) level which goes into MF-410, by clockwise or

counterclockwise direction.

10. Speaker

The Speaker Switch turns the front panel speaker on or off.

11. Power LED

This green LED constantly lights on when power supply working properly. If MF-410 meets any circuit short problem, it will keep on flashing until the problem has been solved.

12. Program Listen Level Control

Adjust program audio (background audio) level which listened from panel speaker or headset, by clockwise or counterclockwise direction.

13. Announcement LED (ANN.LED)

This LED lights when announcement switch is turned to ON.

14. Announce Switch (ANN)

Send the activated microphone signal to ANN. Out connector which is at rear panel. When this function is active, the LED at left will light. The switch is self-locked.

15. Listen Button

Button 1~10 corresponds to 1~10 channel. Press the listen button to hear from the corresponding channel. The LED above will light.

16. Listen Light

When listen button is pressed on, the corresponding channel light lights green.

17. Listen Level Control

Use this control to adjust the audio level which heard from headset or panel speaker. Turn the control on counterclockwise completely will silence the channel.

18. Tone Alert

This knob is used to adjust the tone alert level which heard from speaker.

19. Panel Mic Gain

It is used to adjust the panel microphone gain. It has preset with electrets microphone.

Rear Panel

20. AC Power Connection and Power Switch

Input 85V-265V, 50-60Hz AC, and the power consumption is less than 45VA.

21. Intercom Line connector

RJ-45 connector. The pin out of connectors is as follows: (from right to left)

Pin 1 --- Audio Input -; (Common)

Pin 2 --- Audio Input +;

Pin 3 --- Common;

Pin 4 --- Call Signal I/O;

Pin 5 --- Audio Output -;

Pin 6 --- Audio Output +;

Pin 7 --- 24VDC Output;

Pin 8 --- Common;

22. Input Channel Gain Adjustment

This knob is used to adjust the channel gain to match the input audio level.

23. Program Input Enable

Dipper switch to enable the program (background signal) input. When it is set as 'ON', the program (background signal) goes into the MF-410.

24. Program Input

The external program signal is sent into intercom line through this connector when Program Feed To Switch is turned on. XLR-3F connector accepts balanced signal. Pin out is as follow:

Pin 1 --- Common (Shield)

Pin 2 --- + Audio

Pin 3 --- - Audio

25. Announce Out

This connector is a XLR-3M. It sent microphone audio signal out through this connector. The output is balanced signal. The pin out is as follows:

Pin 1 --- Common (Shield)

Pin 2 --- +Audio

Pin 3 --- -Audio

III Technical Specification

Microphone impedance: Dynamic 100-600ohm

Earphone impedance: Dynamic 50-2000ohm

Input Gain Adjustment Range: >34dB

Bandwidth: 200Hz-8000Hz \pm 2dB

Connector Output Voltage: 24V

Connector Input Audio Type: Balance / Unbalanced

Connector Output Audio Type: Balance

Connector Input Impedance: >10Kohm

Connector Output Impedance: <600ohm

Connector Input Level: -17dBu ~ 18dBu

Connector Output Level: 8dBu \pm 10dBu

POWER SUPPLY:

AC 85-265V, 50-60Hz, <45VA;

BELTPACK CAPACITY:

BK-804 belt packs;

ENVIRONMENTAL:

0° - 70°C (32°-158°F)

DIMENSION:

19" (W) x1.75" (H) x9.48" (D), 482mm x 44.5mm x 241mm

WEIGHT:

2.8kg