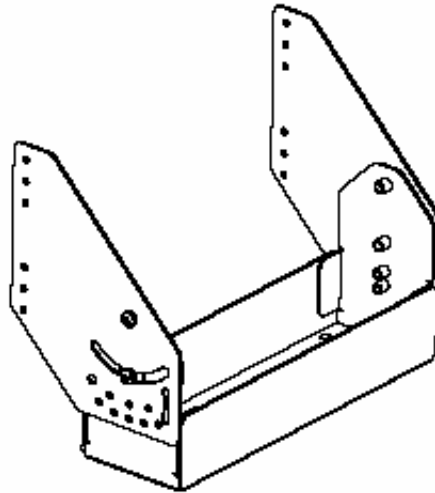
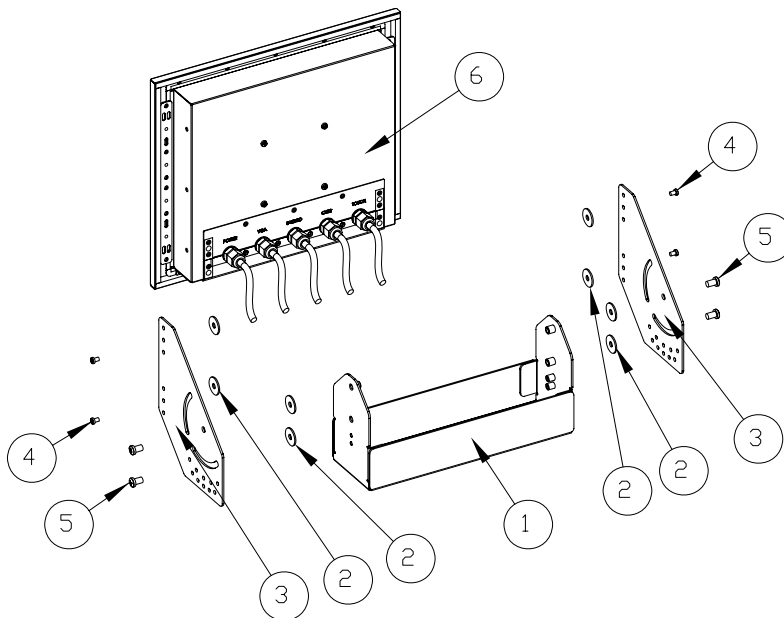


# 10.4” Heavy Duty Stand

◆Part. No. 10403002-Bkt

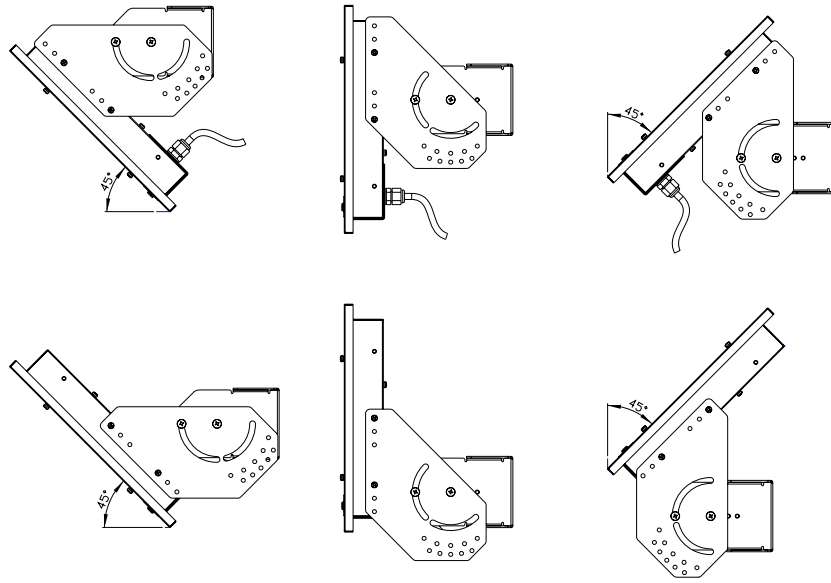


◆Assembly Drawing :



- |  |   |                         |
|--|---|-------------------------|
|  | 1 | BASE<br>X1 PCS          |
|  | 2 | RUBBER WASHER<br>X8 PCS |
|  | 3 | SIDE PLATE<br>X2 PCS    |
|  | 4 | M4 SCREW<br>X4 PCS      |
|  | 5 | 1/4" SCREW<br>X4 PCS    |

◆ Wall Mount Angle :



◆ Ceiling Mount and Table Stand Angle :

