

HDMI CAT5 Extender

ITEM NO.: HE01

Our Smart HDMI CAT5 Extender is using two CAT5E/6 cables to extend your HDTV display up to 50 meters. It is equipped with HDMI connectors and also supports DVI equipment with allowing used with a HDMI to DVI adapter. It provides an easy and flexible cabling solution for integrating home theater components.



HE01 HDMI CAT5 Extender

Features:

- Extends HDMI signal over two CAT5E/6 cables.
- Transmission range up to 50 meters at hi resolution 1080p.
- Including 1 x transmitter, 1 x receiver and 2 x 5V power adapters.
- 2 set HDMI inputs at transmitter, application could be 2 in 2 out when using additional receiver HE01R.
- Built in equalization and signal boost function.
- Hi quality digital video and audio over CAT5 without any signal loss.
- Support DDC, EDID and hot plug detection.
- HDMI 1.3 compliant.
- HDCP 1.1 compliant.

HE01R HDMI CAT5 Receiver (HE01 Option Model)

Features:

- HE01R receiver, to work with HE01T transmitter for extend HDMI signal.
- Using two CAT5E/6 cable, transmission range up to 50 meters at hi resolution 1080p.
- Built in equalization and signal boost function.
- Support DDC, EDID and hot plug detection.
- One Dip switch for easy setting the working range.

DIP Switch Setting:

=====

- 1 (Input Equalization Boost Setting)
- ↑ ON (Cable Length > 25M)
- ↓ OFF (Cable Length < 25M)

Recommended 「 ↑ ON 」 .

Power / Status LED:

- [OFF] No Power.
- [Blue] Detect Video Clock Signal.
- [Red] No Video Clock Signal Detect.
- [Purple] No DATA Link Detect.

Caution:

The cabling must away from any equipment with electromagnetic wave, i.e.: microwave, radio equipment, high voltage.

Trouble Shooting:

No picture display:

LED status:

- [OFF] Check Power Adapter.

- [Blue] Check Video Link Cable Length & Quality.
Check Video & Data Cable Connect.
Check DIP Switch Setting.
Check HDMI Cable Connect.

- [Red] Check Video & Data Cable Connect.
Check HDCP Compatibility.
Check HDMI Cable Connect.

- [Purple] Check DATA Link Cable Connect,
Check HDMI Cable Connect.

Picture with noise:

White noise (signal is too weak)

- Check Video Link Cable Connect 、 Length 、 Quality.
- Check DIP Switch Setting.

Other color noise (signal too weak or too strong)

- Check Video Link Cable Connect 、 Length 、 Quality.
- Check DIP Switch Setting.

Picture disappear (signal too weak or with interference)

- Check Video Link Cable Connect 、 Length 、 Quality.
- Check DIP Switch Setting.
- Cabling away from EMI interference source.

Cable:

Video Link cable using hi quality CAT5E UTP/STP or CAT6 UTP cable,
Recommend to use CAT6 cable if the transmission range over 40 meters..

Data Link cable using CAT5E UTP/STP or CAT6 UTP cable,

It is not hi speed signal transmission, so using regular CAT5E UTP cable will be ok.

RJ45 pin Define:

Video Link (TIA/EIA-568-B)

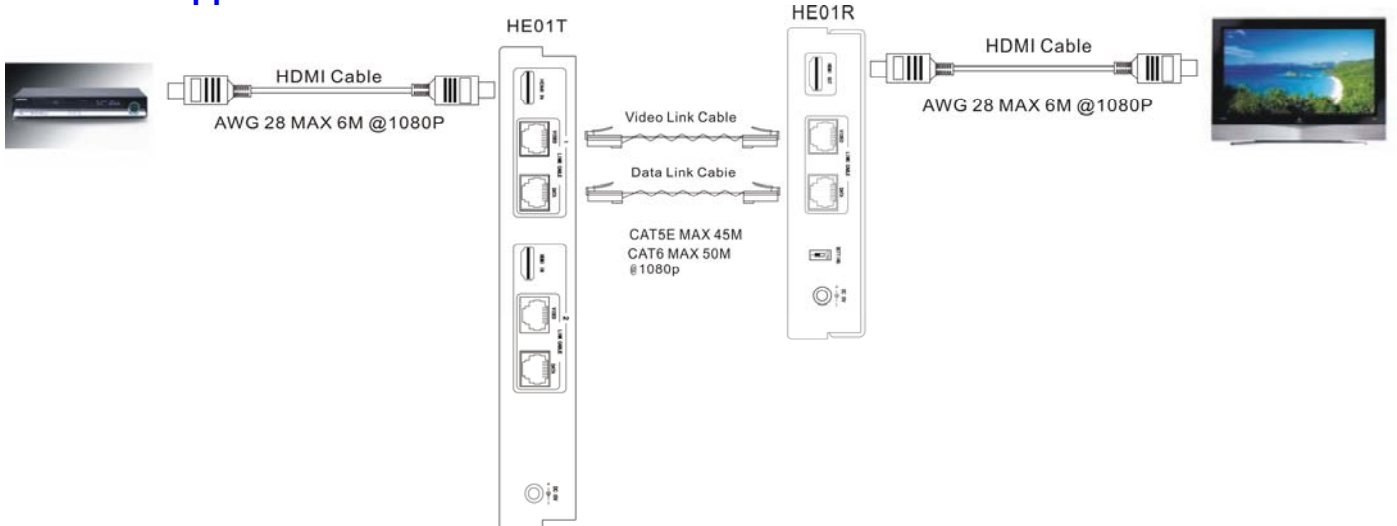
- 1. Orange-white DATA2 +
- 2. Orange DATA2 -
- 3. Green-white DATA0 +
- 4. Blue DATA1 +
- 5. Blue-white DATA1 -
- 6. Green DATA0 -
- 7. Brown-white CLOCK +
- 8. Brown CLOCK -

Data Link (TIA/EIA-568-B)

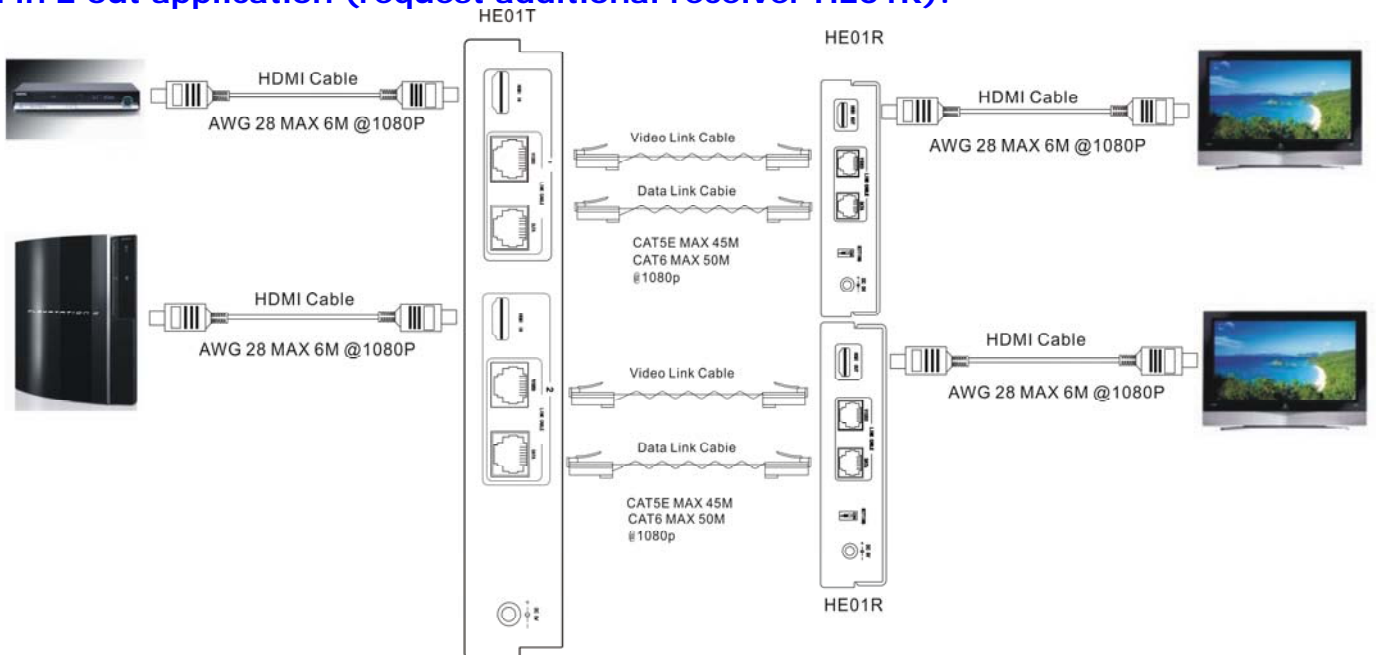
- | | |
|-----------------|-----------------|
| 1. Orange-white | DDC SCL |
| 2. Orange | Hot Plug Detect |
| 3. Green-white | DDC SDA |
| 4. Blue | Reserve |
| 5. Blue-white | Reserve |
| 6. Green | GND |
| 7. Brown-white | Reserve |
| 8. Brown | Reserve |

Installation view:

1 in 1 out application:



2 in 2 out application (request additional receiver HE01R):



Specification:

ITEM NO.	HE01T	HE01R
Resolution	480i/480p/720p/1080i/1080p	
Link Cable Distance	CAT5E 45M , CAT6 50M @1080p	
HDMI Cable Distance	28 AWG HDMI Cables 6M @1080p	
HDMI Connector	HDMI A Type x 2 (Input)	HDMI A Type x 1 (Output)
Link Connector	RJ-45 Shielded x 4	RJ-45 Shielded x 2
Power Supply	5V DC 1200mA Regulated (External)	
Power Consumption	500mA (Max)	150mA (Max)
Temperature	Operation: 0 to 55°C, Storage: -20 TO 85°C, Humidity: up to 95%	
DIMENSIONS W x H x D mm	225x166x40	145x96x37
Weight	800g	300g