

[SPECIFICATIONS] F0.95Aspherical Day&Night IR Lens

Image Size: (1/3) (1/4)

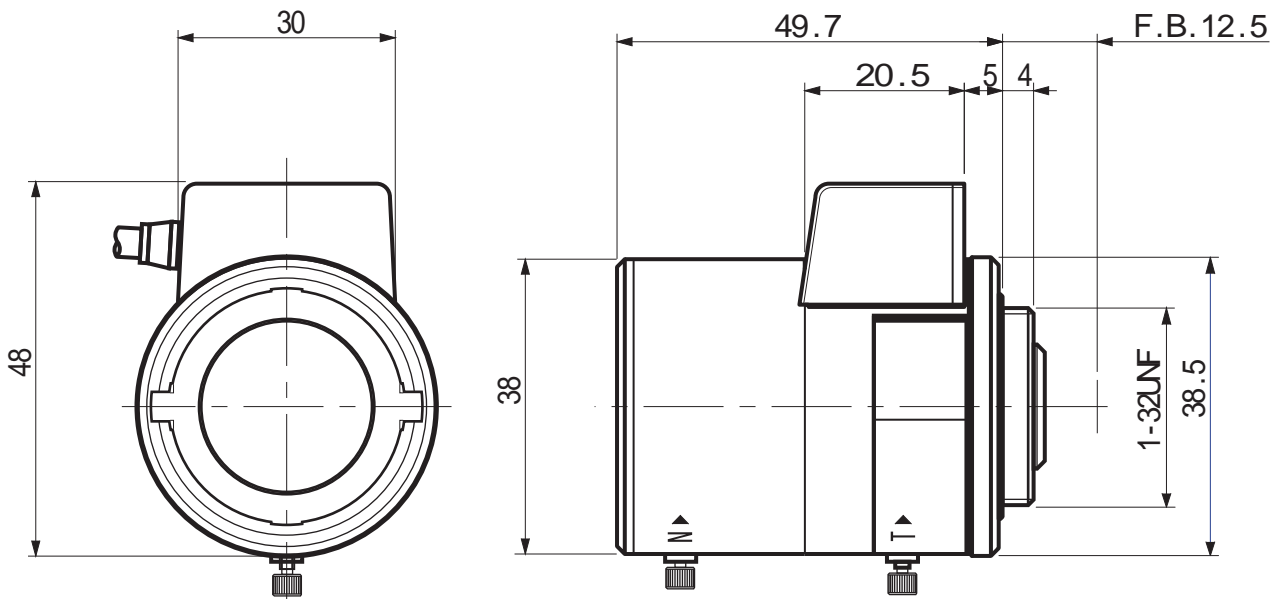
Focal Length : 3 - 8mm  
 Maximum Relative Aperture : 1:0.95  
 Iris : F0.95 - Approx.360  
 (With ND Spot Filter)  
 Angular Field of View : 94.3X68.9 deg. at 3mm  
 36.0X26.9 deg. at 8mm  
 Image Format : 4.8X3.6mm (D6mm)  
 Minimum Object Distance : 0.3m (From Front Vertex)

Optical Back Focal Distance : 7.44 - 13.69mm (In Air)  
 Flange Back : 12.5mm  
 Operation Voltage : Close to Open : Less than 4.0V  
 Open to Close : More than 0.5V  
 Operation : Focus : Manual  
 Zoom : Manual  
 Iris : IG(Auto Close System)  
 Operation Temperature : -10 to +50°C  
 Mount : CS-Mount (Adjustable Lens Position)  
 Size, Weight : D38X48X49.7mm , Approx.64g

[COMPOSITION]

- Lens .....1
- Lens Cap .....1
- Dust Cap .....1

[DIMENSIONS]



Unit:mm

[CIRCUIT DIAGRAM]

