

Box CCD Camera

Color Box CCD Camera

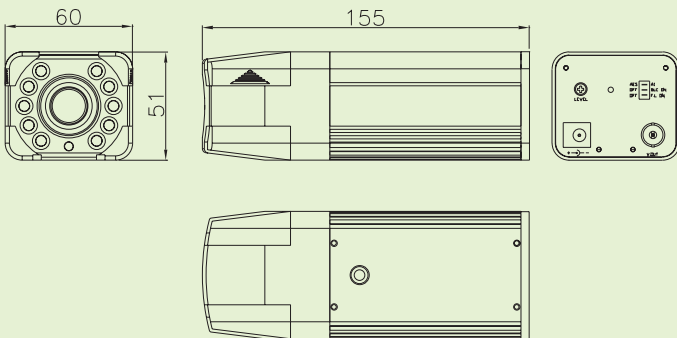


XC239BN ● ●
XC2H9BN ● ● ● ●

FEATURES

- > Color camera with SONY 1/3" Super HAD CCD sensor in metal case.
- > Employs Digital Signal Processor (DSP) chip-set for image control.
- > Pixel number: NTSC=270K / PAL=320K (Normal Resolution).
NTSC=380K / PAL=440K (High Resolution).
- > High sensitivity, low smear, high anti-blooming and high S/N ratio.
- > Powerful functions: Built-in Auto Iris Lens, Auto Electronic Shutter (AES), Flickerless, Auto Gain Control (AGC), Auto White Balance (AWB), Back Light Compensation (BLC).

DIMENSIONS



SPECIFICATIONS

Model	XC239BN	XC2H9BN
Image Pick-up Device	SONY 1/3" CCD Normal Resolution	SONY 1/3" CCD High Resolution
Effective Picture Elements	NTSC: 510*492, PAL: 500*582 (H*V)	NTSC: 768*494, PAL: 752*582 (H*V)
Horizontal Resolution	380 TV lines	540 TV lines
Minimum Illumination	0 LUX @ IR	0 LUX @ IR
Auto Electronic Shutter	AES ON: NTSC: 1/60s~1/100,000s, PAL: 1/50s~1/110,000s OFF: NTSC: 1/60s, PAL: 1/50s	
Auto Iris Control	Built-in DC drive auto iris lens	
Gamma Characteristic	0.45	
Lens Furnished	3.3~12.0mm / F1.6 Vari-Focal auto iris lens	
Gain Control	Automatically	
White Balance	Automatically (2500K~9500K)	
Back Light Compensation	ON/OFF Switch-able	
Flickerless	ON/OFF Switch-able (ON: NTSC: 1/100s, PAL: 1/120s)	
Synchronous System	Negative sync. Internal	
Video Output	1 Vp-p Composite Video / 75 Ohms. BNC connector	
Power Supply(IR ON)	DC 12V / 300 mA	
IR Luminary / Distance	10 pieces 850nm IR-LED / 10M	
Operating Temp.	-10°C to 50°C (14°F to 122°F)	

Design and specifications are subject to change without notice.

CCD Camera

DVR

CCTV Lens

Accessories