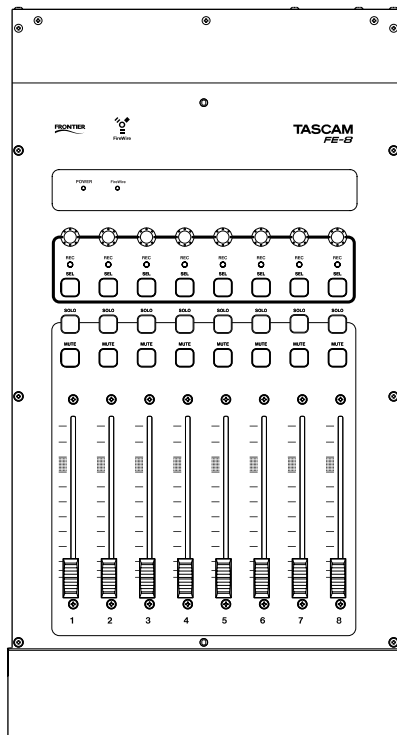




# FE-8

## FireWire Control Surface Expander



# OWNER'S MANUAL



**CAUTION**  
RISK OF ELECTRIC SHOCK  
DO NOT OPEN



**CAUTION:** TO REDUCE THE RISK OF ELECTRIC SHOCK, DO NOT REMOVE COVER (OR BACK). NO USER-SERVICEABLE PARTS INSIDE. REFER SERVICING TO QUALIFIED SERVICE PERSONNEL.



The lightning flash with arrowhead symbol, within an equilateral triangle, is intended to alert the user to the presence of uninsulated "dangerous voltage" within the product's enclosure that may be of sufficient magnitude to constitute a risk of electric shock to persons.




The exclamation point within an equilateral triangle is intended to alert the user to the presence of important operating and maintenance (servicing) instructions in the literature accompanying the appliance.

This appliance has a serial number located on the rear panel. Please record the model number and serial number and retain them for your records.  
Model number \_\_\_\_\_  
Serial number \_\_\_\_\_

**WARNING: TO PREVENT FIRE OR SHOCK HAZARD, DO NOT EXPOSE THIS APPLIANCE TO RAIN OR MOISTURE.**



## IMPORTANT SAFETY INSTRUCTIONS

- 1** Read these instructions.
  - 2** Keep these instructions.
  - 3** Read all warnings.
  - 4** Follow all instructions.
  - 5** Do not use this apparatus near water.
  - 6** Clean only with dry cloth.
  - 7** Do not block any ventilation openings. Install in accordance with the manufacturer's instructions.
  - 8** Do not install near any heat sources such as radiators, heat registers, stoves, or other apparatus (including amplifiers) that produce heat.
  - 9** Do not defeat the safety purpose of the polarized or grounding-type plug. A polarized plug has two blades with one wider than the other. Grounding type plug has two blades and a third grounding prong. The wide blade or the third prong are provided for your safety. If the provided plug does not fit into your outlet, consult an electrician for replacement of the obsolete outlet.
  - 10** Protect the power cord from being walked on or pinched, particularly at plugs, convenience receptacles, and the point where they exit from the apparatus.
  - 11** Only use attachments/accessories specified by the manufacturer.
  - 12** Use only with the cart, stand, tripod, bracket, or table specified by the manufacturer or sold with the apparatus. When a cart is used, use caution when moving the cart/apparatus combination to avoid injury from tip-over.
- 
- 13** Unplug this apparatus during lightning storms or when unused for long periods of time.
  - 14** Refer all servicing to qualified service personnel. Servicing is required when the apparatus has been damaged in any way, such as power-supply cord or plug is damaged, liquid has been spilled or objects have fallen into the apparatus, the apparatus has been exposed to rain or moisture, does not operate normally, or has been dropped.
    - Do not expose this apparatus to drips or splashes.
    - Do not place any objects filled with liquids, such as vases, on the apparatus.
    - Do not install this apparatus in a confined space such as a book case or similar unit.
    - The apparatus draws nominal non-operating power from the AC outlet with its POWER switch in the off position.

# IMPORTANT SAFETY PRECAUTIONS

## IMPORTANT (for U.K. Customers)

### **DO NOT cut off the mains plug from this equipment.**

If the plug fitted is not suitable for the power points in your home or the cable is too short to reach a power point, then obtain an appropriate safety approved extension lead or consult your dealer.

If nonetheless the mains plug is cut off, remove the fuse and dispose of the plug immediately, to avoid a possible shock hazard by inadvertent connection to the mains supply.

If this product is not provided with a mains plug, or one has to be fitted, then follow the instructions given below:

**IMPORTANT:** The wires in this mains lead are coloured in accordance with the following code:

<b>GREEN-AND-YELLOW</b>	: EARTH
<b>BLUE</b>	: NEUTRAL
<b>BROWN</b>	: LIVE

**WARNING:** This apparatus must be earthed.

As the colours of the wires in the mains lead of this apparatus may not correspond with the coloured markings identifying the terminals in your plug proceed as follows:

The wire which is coloured GREEN-and-YELLOW must be connected to the terminal in the plug which is marked by the letter E or by the safety earth symbol  $\perp$  or coloured GREEN or GREEN-and-YELLOW.

The wire which is coloured BLUE must be connected to the terminal which is marked with the letter N or coloured BLACK.

The wire which is coloured BROWN must be connected to the terminal which is marked with the letter L or coloured RED.

When replacing the fuse only a correctly rated approved type should be used and be sure to re-fit the fuse cover.

IF IN DOUBT — CONSULT A COMPETENT ELECTRICIAN.

For U.S.A.

## TO THE USER

This equipment has been tested and found to comply with the limits for a Class A digital device, pursuant to Part 15 of the FCC Rules. These limits are designed to provide reasonable protection against harmful interference when the equipment is operated in a commercial environment. This equipment generates, uses, and can radiate radio frequency energy and, if not installed and used in accordance with the instruction manual, may cause harmful interference to radio communications.

Operation of this equipment in a residential area is likely to cause harmful interference in which case the user will be required to correct the interference at his own expense.

### **CAUTION**

Changes or modifications to this equipment not expressly approved by TEAC CORPORATION for compliance could void the user's authority to operate this equipment.

## For the consumers in Europe

### **WARNING**

This is a Class A product. In a domestic environment, this product may cause radio interference in which case the user may be required to take adequate measures.

## Pour les utilisateurs en Europe

### **AVERTISSEMENT**

Il s'agit d'un produit de Classe A. Dans un environnement domestique, cet appareil peut provoquer des interférences radio, dans ce cas l'utilisateur peut être amené à prendre des mesures appropriées.

## Für Kunden in Europa

### **Warnung**

Dies ist eine Einrichtung, welche die Funk-Entstörung nach Klasse A besitzt. Diese Einrichtung kann im Wohnbereich Funkstörungen verursachen; in diesem Fall kann vom Betreiber verlangt werden, angemessene Maßnahmen durchzuführen und dafür aufzukommen.

Thank you for purchasing the TASCAM FE-8 fader expansion unit. This is designed to be used with the TASCAM FW-1884 unit, and adds another eight control channels, including motorized faders, to the FW-1884.

It is possible to add up to 15 FE-8 units to the FW-1884, making a total of 128 channels.

Each FE-8 requires its own AC power source, but does not require its own IEEE 1394 (FireWire) connection to the computer (see below for details).

---

## Copyright, etc.

Windows, Windows XP, and Windows 2000 are trademarks of Microsoft Corporation.

Macintosh, MacOS, MacOS X and FireWire™ are trademarks of Apple Computer.

All other trademarks are the property of their respective holders.

---

## Environmental considerations

The FE-8 can be operated in most environments, but we suggest that you keep the environmental conditions within the following limits:

Ambient temperature between 5°C and 35°C (41°F to 95°F).

---

## Updating the software

The FE-8 does not require its own driver software. Instead, the FE-8 is recognized by the FW-1884's driver.

Download the version of the FW-1884 software which supports the FE-8 expansion from the TASCAM Web site.

- 1 First, uninstall the existing driver software (Windows and Mac OS X). The method to do this varies, according to the operating system you are using. See the instructions below. There is no need to uninstall the Mac OS 9 software as the new installation overwrites the old settings.**

- 2 Next, install the new drivers and software, following the instructions in the *FW-1884 Setup Guide* (“Installation (Windows 2000 and Windows XP)” on page 7, “Installation (Mac OS 9.2)” on page 9 and “Installation (Mac OS X 10.2.4 and above)” on page 10).**

### NOTE

*You cannot use the Windows New Hardware Wizard described in “Installation using the Windows New Hardware Wizard:” on page 8 until the FE-8 has been installed and connected as described below.*

---

## Windows uninstall

To uninstall the software under all versions of Windows which support the FW-1884, use the Add/

Remove Programs icon in the Control Panel to uninstall the FW-1884 driver and software.

Reboot your computer if instructed to do so.

---

## Macintosh OS X uninstall

On the disc or inside the disk image (.dmg) of the original FW-1884 software, there is a package (series of Installer instructions) called FW-1884 Remover.pkg.

Open this package and uninstall all the old FW-1884 drivers, etc.

Reboot the computer if instructed to do so.

### NOTE

*You will need an Administrator name and password to perform this operation.*

## 2 – Physical installation

### WARNING

Before undertaking this procedure, make sure the FW-1884 is turned off, and disconnected from the AC power supply and computer. The FE-8 should also be disconnected from the AC power supply.

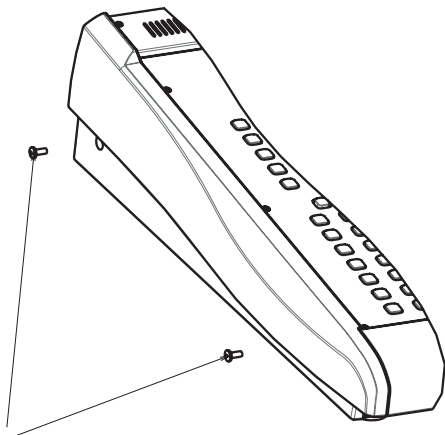
- 1 Decide on which side of the FW-1884 you will be using the FE-8. Remove that end cheek from the FW-1884 (the illustration below shows the left end cheek).

### WARNING

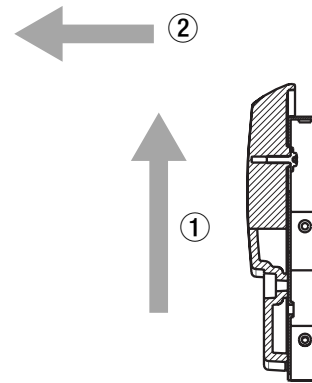
The FE-8 is designed to be used with the FW-1884 only as described in the instructions here. Only use it in this way, as there is a danger of electric shock under other conditions (that is, when standing apart from the FW-1884 or other FE-8 units).

When the end cheeks are removed from the FW-1884, some sharp metal edges are exposed. Take suitable precautions not to cut yourself on these edges while fitting the FE-8.

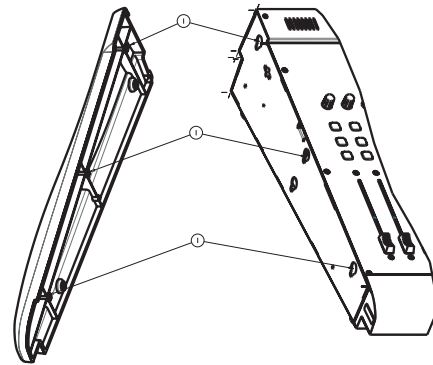
Remove the two screws retaining the end cheek, and keep them in a safe place.



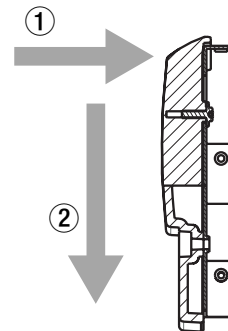
- 2 Now lift the end cheek up slightly before removing it (the illustration here shows a cross-section through the left end cheek).



- 3 Fix the end cheek to the side of the FE-8. Locate the three retaining lugs on the end cheek to the three holes on the side of the FE-8.



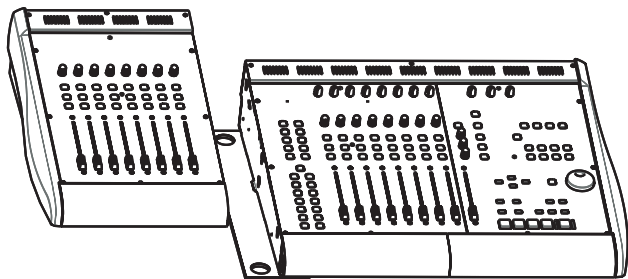
- 4 When the lugs are seated in the holes, push the end cheek down into place.



- 5 Replace the two screws removed at the start of this procedure.

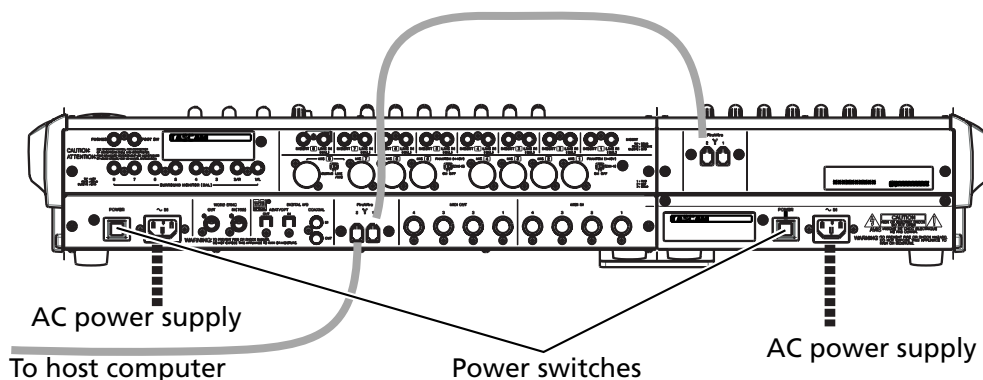
## 2 – Physical installation–Updating the software

- 6** There is no physical connection between the FW-1884 and the FE-8. Instead, you should use the special supplied mounting pad, into which the feet of both the FW-1844 and FE-8 fit, and which secures the units firmly in the correct location relative to each another.



If you are adding more than one FE-8 unit to your FW-1884 setup, you should use the mounting pads to link the FE-8 units, and replace the end cheek(s) only on the units at the end(s) of the line.

- 7** To connect the FE-8 and FW-1884, connect one end of the IEEE 1394 cable supplied with the FE-8 to either FireWire port on the rear panel of the FE-8, and the other end to the unused FireWire port on the rear panel of the FW-1884.



Unlike (for example) SCSI connections, you do not need to terminate the chain, and there is no need to number devices or set IDs, etc.

Either FireWire port of the FW-1884 may be used for connecting the FW-1884 to the computer or FE-8 units, and either port of the FE-8 may be used for connection to the FW-1884 or other FE-8 units.

- 8** Connect the FW-1884 to the host computer.
- 9** Connect the AC power cords to all the units, and switch on the units. We suggest switching on the units starting with the unit furthest from the computer, and moving in to the FW-1884.

### NOTE

*You can use the FE-8 only in conjunction with an FW-1884 unit. It cannot be used by itself with a computer.*

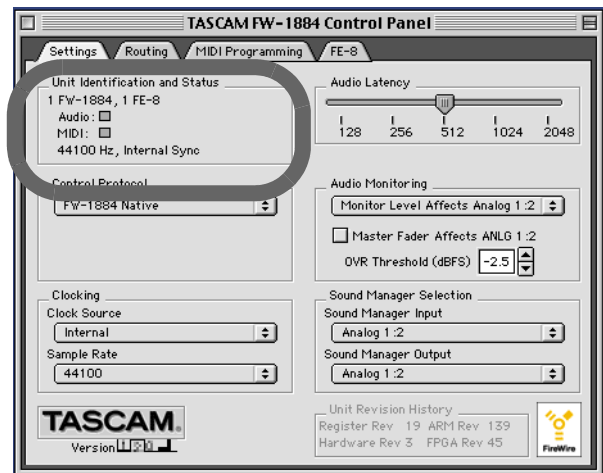
*You should either use the cable supplied with the FW-1884 or the FE-8 (preferred) or a IEEE 1394 cable of equivalent quality when making connections. Cheap cables may not meet the interface specifications and may cause device malfunctions.*

## 3 – Software and the FE-8

Each FE-8 unit in your system provides an additional virtual MIDI port, through which controller information is passed to the DAW application, and status information (fader position, indicator status, etc.) is passed back from the DAW to the FE-8.

One such virtual MIDI channel is provided per unit. If you have many FE-8 units connected, it may be difficult for you to keep track of them in the DAW application, and so the Control Panel for the FW-

1884 includes tools to help you manage (rename, reorder, etc.) the units.



Any FE-8 units connected to the FW-1884 will show on the equipment list on the Macintosh versions of the software (this feature is not part of the Windows version).

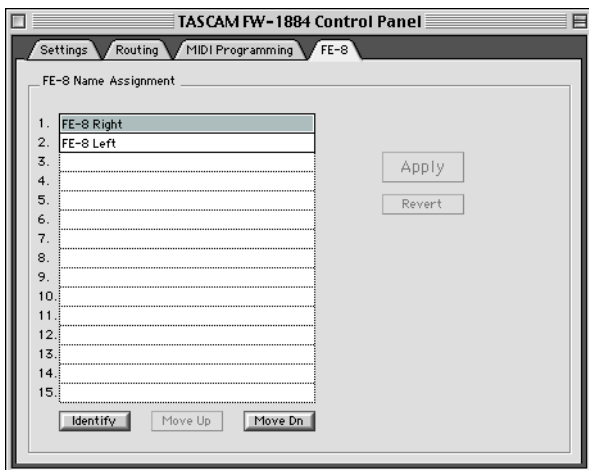
Notice also the FE-8 tab at the top of the Control Panel in all versions of the software, as explained below.

---

### Naming the FE-8 units

---

If you have more than one FE-8 unit in your system, it may be difficult for you to keep track of the different units when they are connected together.



When an FE-8 is first discovered by the system, it is identified with a letter-number string, which probably won't mean too much to you in the future.

---

### Re-ordering the FE-8 units

---

For convenience, you don't have to keep the list of FE-8 units in the order they were discovered by the system.

The FE-8 tab in the Control Panel allows you to rename the units to something more meaningful. Here, they are labeled as Left and Right, but you may want to label them with numbers, or according to the tracks they will control, etc.

Select a unit in the list and double-click the name to begin editing.

Click Apply when finished naming all units or Revert if you want to discard all changes.

These names are echoed system-wide and are reflected in all applications using the FE-8 unit.

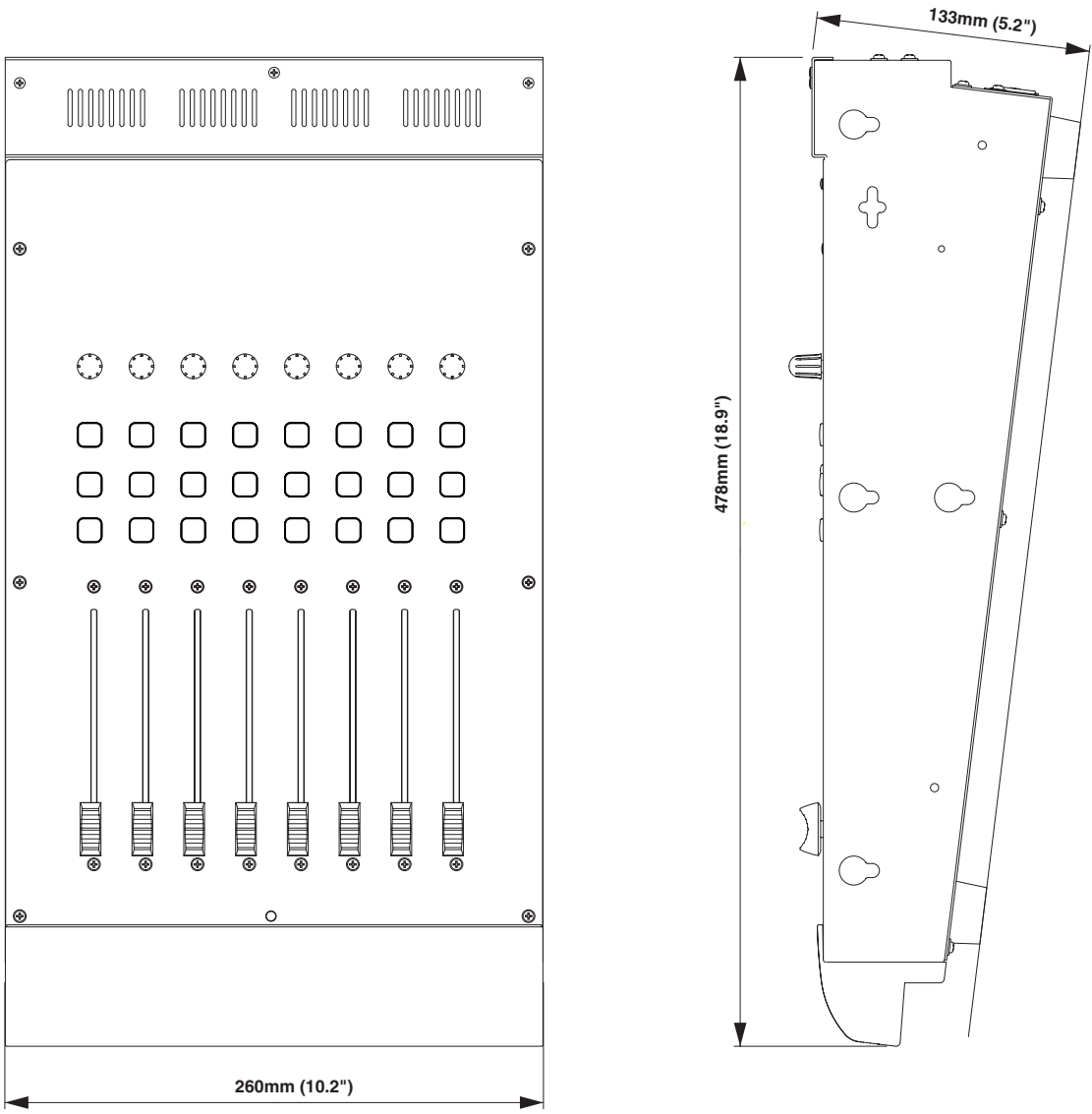
Note the Identify button at lower left. When you press this button, the **FireWire** indicator on the FE-8 unit that is highlighted in the list flashes. This can be useful if you forget in which order the FE-8 units have been arranged.

Highlight a unit in the list above, and click the Move Up or Move Dn (move down) button to re-order the unit in the list.



**Power and physical specifications**

Power Requirement	100V AC, 50-60Hz
	120V AC, 60Hz
	230V AC, 50Hz
	240V AC, 50Hz
Power Consumption	20 W
Peak inrush current	15A
Applicable electromagnetic environment	E4
Dimensions (W xHxD)	260 x 133 x 478 (mm) 10.25 x 5.2 x 18.9 (in.)
Weight	5 kg (11 lbs.)
Supplied accessories	IEEE 1394 cable, mounting pad (sheet joint), AC power cable







# TASCAM

## TEAC Professional Division

# FE-8

### TEAC CORPORATION

Phone: +81-422-52-5082  
3-7-3, Nakacho, Musashino-shi, Tokyo 180-8550, Japan

[www.tascam.com](http://www.tascam.com)

### TEAC AMERICA, INC.

Phone: +1-323-726-0303  
7733 Telegraph Road, Montebello, California 90640

[www.tascam.com](http://www.tascam.com)

### TEAC CANADA LTD.

Phone: +1905-890-8008 Facsimile: +1905-890-9888  
5939 Wallace Street, Mississauga, Ontario L4Z 1Z8, Canada

[www.tascam.com](http://www.tascam.com)

### TEAC MEXICO, S.A. De C.V

Phone: +52-555-581-5500  
Campesinos No. 184, Colonia Granjes Esmeralda, Delegacion Iztapalapa CP 09810, Mexico DF

[www.tascam.com](http://www.tascam.com)

### TEAC UK LIMITED

Phone: +44-1923-438880  
5 Marlin House, Croxley Business Park, Watford, Hertfordshire. WD1 8TE, U.K.

[www.tascam.co.uk](http://www.tascam.co.uk)

### TEAC DEUTSCHLAND GmbH

Phone: +49-611-71580  
Bahnstrasse 12, 65205 Wiesbaden-Erbenheim, Germany

[www.tascam.de](http://www.tascam.de)

### TEAC FRANCE S. A.

Phone: +33-1-42-37-01-02  
17 Rue Alexis-de-Tocqueville, CE 005 92182 Antony Cedex, France

[www.tascam.fr](http://www.tascam.fr)

### TEAC AUSTRALIA PTY.,LTD. A.B.N. 80 005 408 462

Phone: +61-3-9672-2400 Facsimile: +61-3-9672-2249  
280 William Street, Port Melbourne, Victoria 3000, Australia

[www.tascam.com.au](http://www.tascam.com.au)

### TEAC ITALIANA S.p.A.

Phone: +39-02-66010500  
Via C. Cantù 11, 20092 Cinisello Balsamo, Milano, Italy

[www.teac.it](http://www.teac.it)