

MODEL NO. : LRM-8521

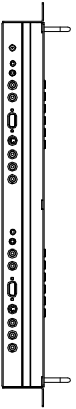
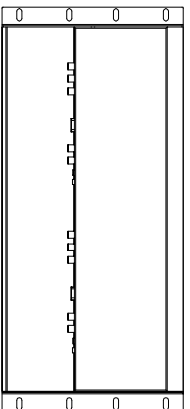
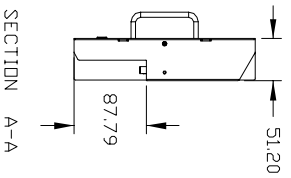
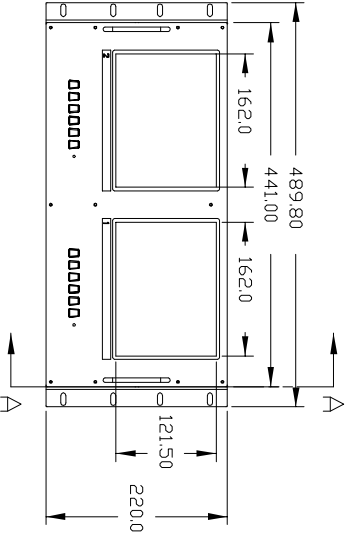
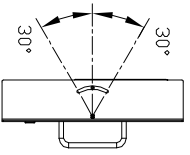
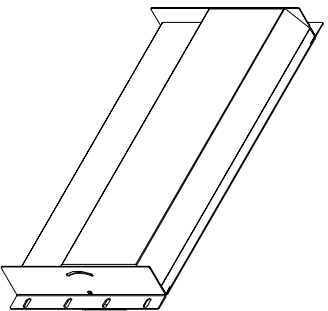
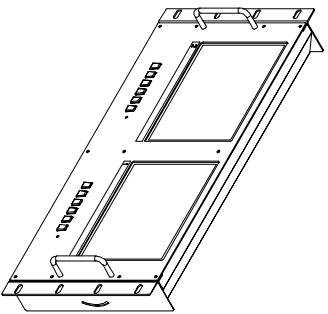
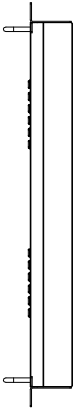
□ SPECIFICATION □

| | |
|----------------------------------|-------------------------------------------------------------------------------------------------------------------------------------------------------------------------------------|
| ◆ DISPLAY SCREEN | LCD SIZE 8" INCH (DIGITAL) ACTIVE AREA 162(W) X 121.5(D) mm ELEMENT COLOR TFT LCD RESOLUTION 800 X3(RGB)X 600 DOT PITCH 0.0675(W) X 0.2025(H) NTSC & PAL Dual System |
| ◆ VIDEO SYSTEM | |
| ◆ BACKLIGHT POWER CONSUMPTION | 1.782W |
| ◆ POWER SOURCE | DC 12V/24V |
| ◆ POWER CONSUMPTION | 780mA , 9.4W / 400mA , 9.6W |
| ◆ OPERATING TEMPERATURE | -30°C ~ 85°C |
| ◆ STORAGE TEMPERATURE | -40°C ~ 95°C |
| ◆ OPERATE TEMPERATURE & HUMIDITY | +60°C , 90% |
| ◆ BRIGHTNESS | 350 cd/m ² |
| ◆ CONTRAST | 500:1 |
| ◆ RESPONSE TIME | 10 msec (Tr) |
| ◆ VIEWING ANGEL | L/R: 70°/70°, TOP: 50°, Bottom: 70° |
| ◆ PC INPUT | RGB Analogue Input 15 Pin D-sub x 1 |
| ◆ VIDEO INPUT | 1 VP-P 75Ω , RCA x 2 , S-Video x 1 |
| ◆ OSD CONTROL FUNCTION | Volume , Brightness , Contrast, Sharpness , Color,Hue |
| ◆ LCD SCREEN | 162.0 x 121.50 x 6.30 mm |
| ◆ OVERALL DIMENSION | 489.00(W) x 220.00 (H) X 51.00 (D) (mm) |
| ◆ WEIGHT | 4 kgs |

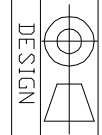
□ FEATURES □

1. 8" X 2 LCD Screens
2. 2 VIDEO BNC INPUTS
3. 1 VIDEO BNC OUTPUTS
4. Low Power Consumption.

| REVISION | | | |
|------------|-------------|------|---------|
| ISSUE ZONE | DESCRIPTION | DATE | REVISER |
| | | | |



VIEWTEK®
LEE MING INDUSTRIAL CO.,LTD



MODEL NO.
LRM-8521

PARTS NO.
CHECKED

DWG. DATE
2008/06/09

MATERIAL
SCALE

UNIT
mm

PARTS NAME
8"LCD X 2

REV.
FILE NO.
DRAWING NO.

1

2

3

4

5

6

7

8