

# PC<sub>to</sub> Video Overlay

**operation maunal**

## Features

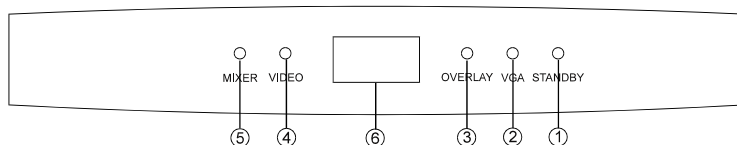
- Superimpose PC text and graphics onto another channel of live video.
- It converts three VGA mode-1024\* 768, 800\* 600, 640\* 480 into NTSC or PAL video, which then overlay or mix with another video.
- Plug-and-play design, no software driver required.
- Cross-platform compatibility for PC, Macintosh and Note book.
- Zoom & Pan.
- Vertical and horizontal overscan / underscan control.
- Simultaneous display on PC and TV monitor.
- Composite, S-Video output.
- Automatically supports scan rate from 50 Hz up to 100 Hz.
- Remote controller .

## Applications

- ◆ PC to Video overlay.
- ◆ Mix PC picture and Video.
- ◆ Enjoy PC games, PC movies and Internet on TV.
- ◆ Education and business presentation.

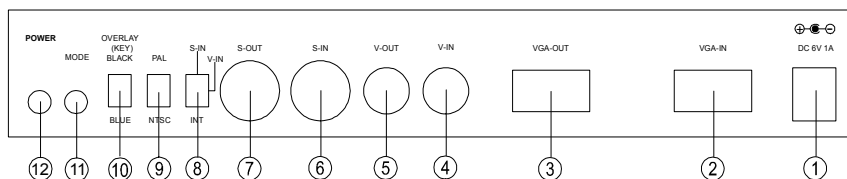
## Operation Controls and Functions

### Front Panel



1. Standby indicator: The indicator will light when in standby mode.
2. VGA indicator: Illuminates when the VGA mode (source) is selected.
3. Overlay indicator: Illuminates when overlay mode is selected.
4. Video indicator: Illuminates when video mode (source) is selected.
5. Mixer indicator: Illuminates when mixer mode is selected.
6. Remote control sensor.

### Real Panel



# Operation Controls and Functions

1. DC power supply 6V 1A input.
2. VGA input.
3. VGA output.
4. Video input.
5. Video output.
6. S-Video input.
7. S-Video output.
8. Video input select: Top for S-Video, middle for composite, bottom for internal black sync signal. When there is no external video signal input this switch must be set to internal for VGA genlock use.
9. NTSC/PAL switch: Top for PAL, bottom for NTSC.
10. Overlay (Key) switch: Top for PC Black background keying bottom for Blue background keying.
11. Mode select: Select one of the VGA, overlay, video, or mixer mode.
12. Power switch.

## Remote Control :

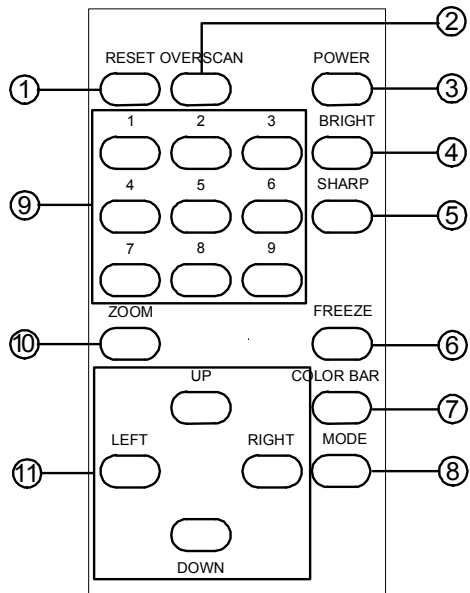
1. Reset the screen.
2. Overscan/Underscan control.

**Note:** When using CPT-370 for overlay, it will automatically turn your underscan PC picture into overscan to avoid the black perimeter associated with all underscan picture to be imposed onto the resultant Video output.

Because most PC screens are underscan, which leaving a black margin on the four edges of the screen. When using the blue background keying, this black perimeter can not be keyed away, therefore will be superimposed onto the video input and resulted in a black-frame surrounded the overlaid video output.

CPT-370 has automatically turned your PC picture into overscan to eliminate this black perimeter.

3. Power On/Off.
4. Adjust the Brightness.
5. Adjust the Sharpness.
6. Freeze/Unfreeze the picture.
7. Color Bar.
8. Mode select.
9. Zoom for 9 special areas.
10. Zoom On/Off control.
11. Pan the picture Up, Down, Right, Left.



# Specifications

Input signal:

1. 640 x 480 resolution scan up to 100 Hz.  
800 x 600 resolution scan up to 85 Hz.  
1024 x 768 resolution scan up to 75 Hz.
2. NTSC/PAL Composite video or S (Y/C) video 1 Vp-p 75 ohm.

Output signal:

1. VGA passthrough
2. Composite video 1 Vp-p 75 ohm
3. S (Y/C) video 1 Vp-p 75 ohm

S-Video bandwidth: 5.5 MHz

Power supply: DC 6V, 1A

Accessory: Remote controller and application software two diskettes.

Dimension: 236mm(W) x 130 mm(D) x 45 mm(H)

Weight: 0.6 kg

# Connection and Installation

