

PC/Component Distributor with Audio

CPCD-3A

Operation Manual



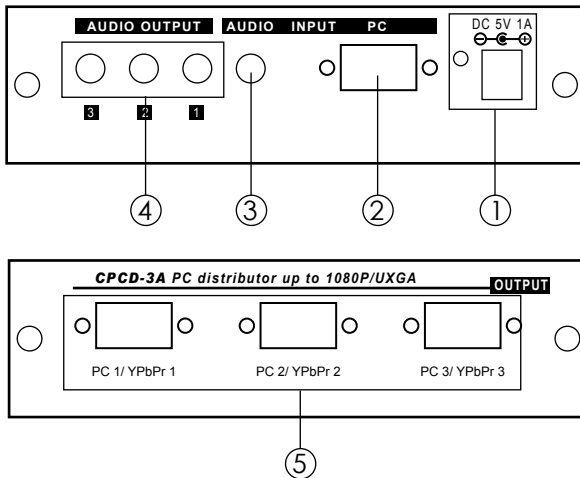
Introduction

Cypress CPCD-3A is a high performance PC/Component distributor with stereo audio. It is designed to connect one PC or HDTV signal source with audio to 3 PC or HDTV displays.

Features

- * Supports either PC (RGB) or HDTV (YPbPr) input signal.
- * Accepts one PC or HD component input and split it into 3 buffered and identical outputs.
- * Supports stereo audio input and split it to 3 identical outputs via 3.5mm mini-stereo connector.
- * High video signal bandwidth (480MHz/-3dB) supports PC/HDTV resolution up to UXGA/1080p.
- * Ideal for presentation and home theater application.
- * Plug and play, easy to install.

Operation Controls and Functions



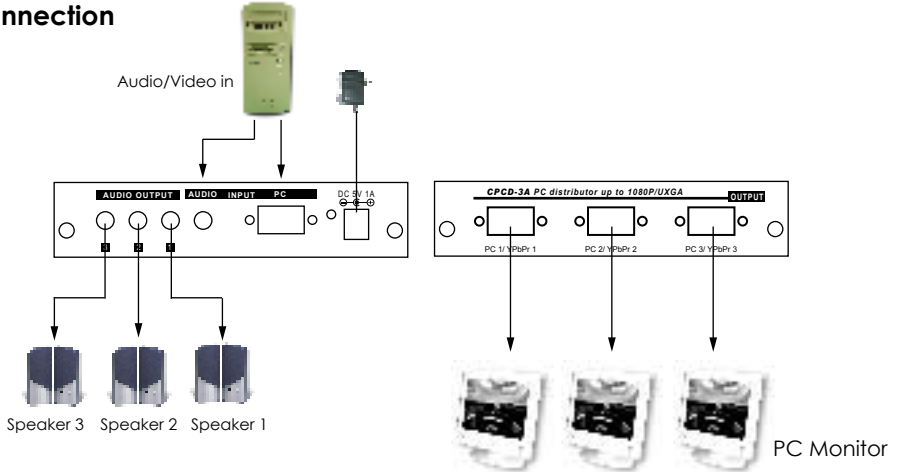
- 1. Power Input:** Plug the supplied 5VDC power supply into the unit and the LED will illuminate when it is connected.
- 2. Video input:** Connect to the video output of your source devices such as PC or DVD player by using the HD-15 to HD-15 cable or HD-15 to 3 RCA cable.
- 3. Audio input:** Connect to the audio output of your source devices such as PC or DVD player by using the 3.5mm phone jack audio cable or 3.5mm phone jack to 2 RCA audio cable.
- 4. Audio outputs:** Connect the audio cables from these ports to the audio input of the speaker systems.
- 5. Video outputs:** Connect each of the PC/HD output to the input of the PC or HD display.

Specification

- * PC Input * 1 : RGB 0.7Vp-p 75 ohm HV 5Vp-p 10K ohm
- * PC Output * 3 : RGB 0.7Vp-p HV 5Vp-p 10K ohm; or Y : 1Vp-p, PbPr: 0.7Vp-p 75 ohm
- * Audio Input * 1 : 2Vrms max 47K ohm
- * Audio Output * 3 : 2Vrms max 47K ohm
- * Video Bandwidth : 480MHz (-3db)
- * Compatibility: VGA upto UXGA/1080p in RGBHV, RGBs, RGsB, YPbPr formats.
- * Differential gain : 0.05%
- * Differential phase : 0.05 degree
- * Power : 5V 2A
- * Accessories: 5V power supply, HD-15 to HD-15 video cable, Stereo audio cable.
- * Dimension (WxHxD) : 141 x 38 x 105mm

Connection and Installation

PC Connection



HDTV Connection

