

Multi TV Tuner

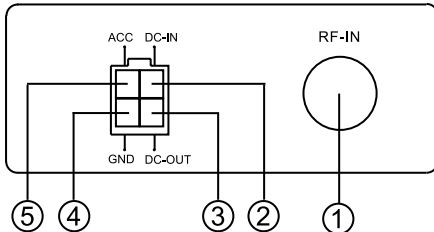
Operation Manual

Feature

1. Receive terrestrial and cable TV broadcasting systems of all PAL and SECAM countries.
2. Full channels on TV/CATV systems.
3. Operates in 12V DC car voltage .Ideal for car video application.
4. Two video outputs.
5. Auto programming and channel memory.
6. PLL frequency synthesizer and auto fine-tune ensures best receiving picture.
7. Remote out connector allows you to place the IR sensor to anywhere you want it to be, whether in a car, a boat or in your home.
8. Manual tuning allows for fine tuning into a best quality picture.

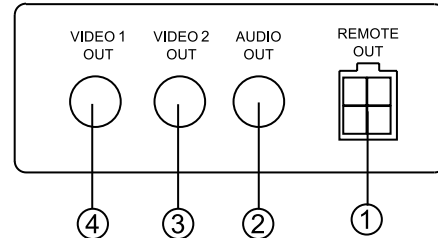
Operation Controls and Functions

Front Panel



1. RF-In: Connect to ANT or cable TV.
2. DC-In: DC 12V In.
3. DC-Out: DC 12V Out.
4. GND.
5. ACC:
 - a. If +ACC is used: When the +ACC wire is connected to the power, TV tuner is Switched ON.
 - b. If + ACC is not used: Press and release the power button of remote control will have the same effect as the +ACC function (Turn ON the tuner).

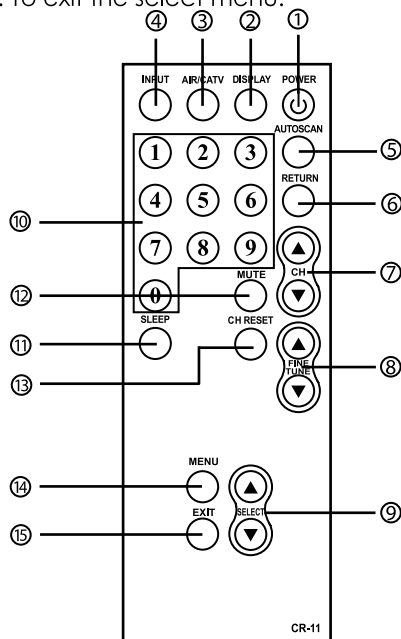
Rear Panel



1. Remote Out: Remote control connector for connecting to infrared receive sensor.
2. Audio Out: 350mV rms 47k ohm RCA Jack.
3. Video 2 Out: 1 Vp-p 75 ohm RCA Jack.
4. Video 1 Out: 1 Vp-p 75 ohm RCA Jack.

Remote Control

- (1) Power : Switch between Power On & Stand by.
- (2) Display : Display channel status.
- (3) Air/CATV : Switch between Terrestrial TV systems and Cable TV channel systems.
- (4) Input : Press the button to control DC- out 12V.
- (5) Auto Scan: Scan the available channels and memories automatically.
- (6) Return: Return to previously selected channel.
- (7) Channel ▲/▼: Channel select up or down.
- (8) Fine Tune ▲/▼: "Fune tuning" select up or down.
- (9) Select ▲/▼: Select the aerial/cable system of your country.
- (10) 0~9: Direct channel selection.
- (11) Sleep: Set a predetermined time for automatically turning off the unit (10~120 minutes)
- (12) Mute: Mute sound output.
- (13) CH Reset: Return to default.
- (14) Menu: Press the button to show all PAL and SECAM TV systems.
- (15) Exit: To exit the select menu.



Connection and Installation

