

4x1 HDTV Switcher

Operation Manual



Applications:

HD/CV switcher is designed for switching between various HD and SD sources for sharing one TV display.

Simply pressing a button on remote control you can select your desired HD/SD source for display on the TV monitor.

Features:

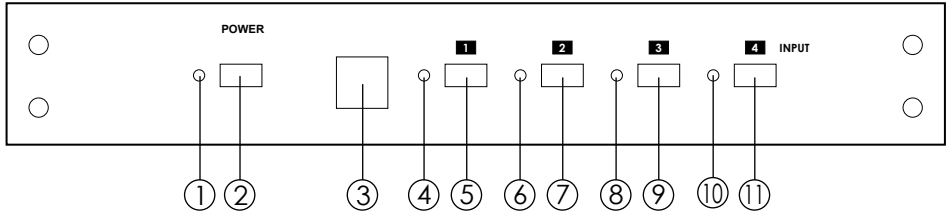
- Component/ composite switcher.
- Ideal for home theater and presentation application.
- High bandwidth performance 650MHz at -3dB.
- IR remote control.
- Easy to install and operate- plug and play solution gets to work immediately.
- can be controlled either through input selection button on the front panel or using included infrared remote control.
- RS-232 interface allows control from a distant device.
- Supports HDTV high resolution : 480i, 576i, 480p, 576p, 720p, 1080i and 1080p.
- Supports audio formats: S/PDIF (digital) and L/R (analog).

Package includes:

- remote control.
- HD switch w/RS232 unit.
- 5V DC power supply.
- User's manual.
- One set of 2 RCA to 2 RCA audio cable.
- One set of 3 RCA to 3 RCA video cable.
- A 3A lithium battery.

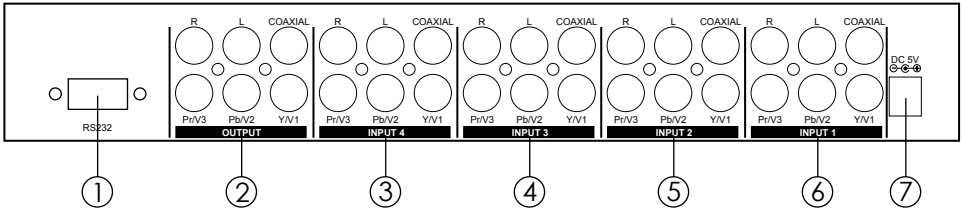
Operation controls and functions

Front Panel



1. Power indicator LED.
2. Power: Press POWER button to turn on the unit for working.
3. IR sensor: Infrared remote control sensor.
4. Input 1 indicator LED.
5. Input 1: Press this button, then LED lights up, source 1 is selected.
6. Input 2 indicator LED.
7. Input 2: Press this button, then LED lights up, source 2 is selected.
8. Input 3 indicator LED.
9. Input 3: Press this button, then LED lights up, source 3 is selected.
10. Input 4 indicator LED.
11. Input 4: Press this button, then LED lights up, source 4 is selected.

Rear Panel

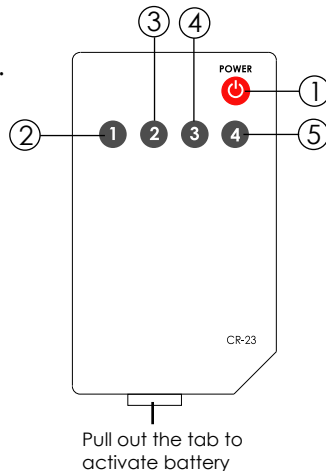


1. RS232: 9-pin D-sub female connector for connecting to your other control console for remote control.
2. YUV/Composite output: Use a 3 RCA to 3 RCA cable to connect to your display.
3. YUV/Composite Input 4 : Use a 3 RCA to 3 RCA cable to connect to your source 4.
4. YUV/Composite Input 3 : Use a 3 RCA to 3 RCA cable to connect to your source 3.
5. YUV/Composite Input 2 : Use a 3 RCA to 3 RCA cable to connect to your source 2.
6. YUV/Composite Input 1 : Use a 3 RCA to 3 RCA cable to connect to your source 1.
7. DC power jack: 5V 1A power input, center +.

Remote Control

1. Power: Switch between power ON and Standby.
2. Press button 1 to select source 1.
3. Press button 2 to select source 2.
4. Press button 3 to select source 3.
5. Press button 4 to select source 4.

Note: Replacement battery can be found at a local electronic retail store.



Specifications:

- Input:

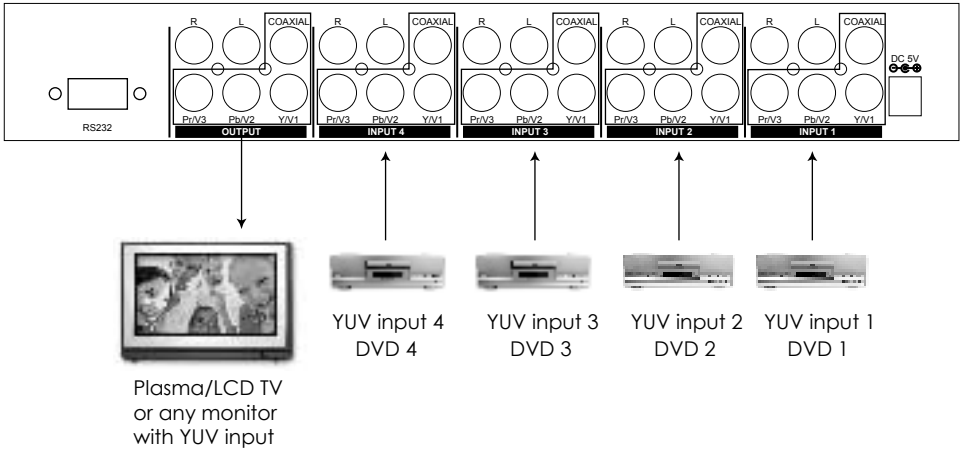
- YUV (YPbPr) x 4 via 3 RCA connectors 1 Vp-p @ 75 ohm
- Composite Video x 4 via RCA connectors 1Vp-p @ 75 ohm
- S/PDIF (Digital format) x 4 via coaxial connectors/0.5~1 Vp-p@75 ohm load, 96 kHz performance
- Stereo L/R (Analog format) x 4 via 2 RCA connectors

- Output:

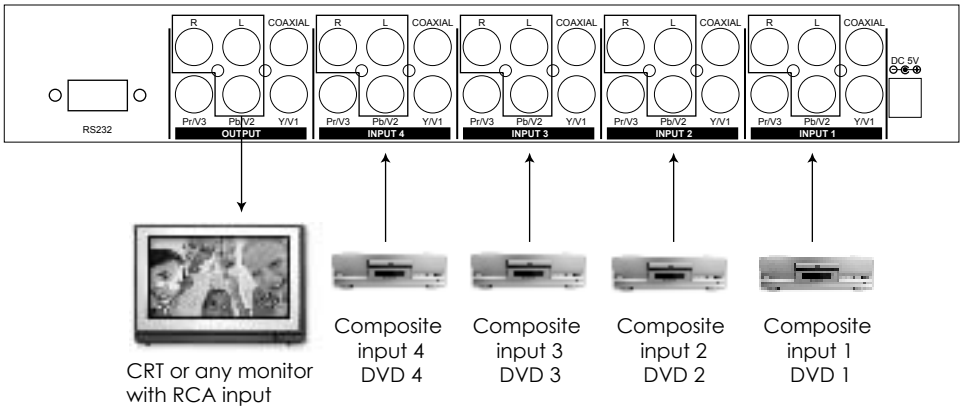
- YUV (YPbPr) x 1 via 3 RCA connectors 1 Vp-p @ 75 ohm
- Composite Video x 1 via RCA connectors 1 Vp-p @ 75 ohm
- S/PDIF (Digital format) x 4 via coaxial connectors/0.5~1 Vp-p@75 ohm load, 96KHz performance
- Stereo L/R (Analog format) x 1 via 2 RCA connectors
- Bandwidth: 650MHz (-3dB)
- RS-232 interface control via DB-9 female connector
- Infrared remote control sensor via remote control unit.
- Differential gain: 0.05%
- Differential phase: 0.05% degree
- Power consumption: 5W (max)
- Dimensions: 292(W) x 176(D) x 47.5(H)mm
- Unit weights: 1.5Kgs

Connection and Installation:

1. Works as a 4-in 1-out HD switcher for sharing one HDTV display.



2. Works as a 4-in 1-out composite switcher for sharing one SDTV display.



Trouble Shooting Guide:

When there is no picture, please check:

1. Whether all connectors connect well or not ? Or
2. Whether the connecting cable is damaged ?