

# 19" COLOR CCTV Monitor Smart Series

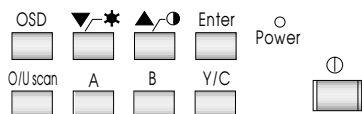
## CH-19DXA



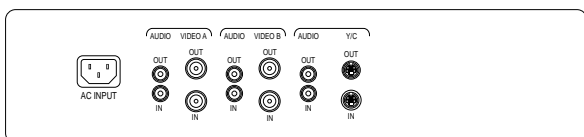
### Features

- ▶ Multi-Language OSD (On Screen Display) user control
- ▶ Fit in EIA rack (19" rack mountable)
- ▶ Over/Under scan (Push-push type on front panel)
- ▶ Super high performance with high resolution more than 800TV lines
- ▶ Built-in 3 Channels switch by manual
- ▶ Auto loop through
- ▶ Built-in microprocessor digital control
- ▶ Durable metal cabinet
- ▶ Dual scanning system NTSC/PAL compatible
- ▶ Universal power input AC 100 ~ 240V
- ▶ Built-in clear and crisp speaker
- ▶ (19") Viewing area > (17") 20%

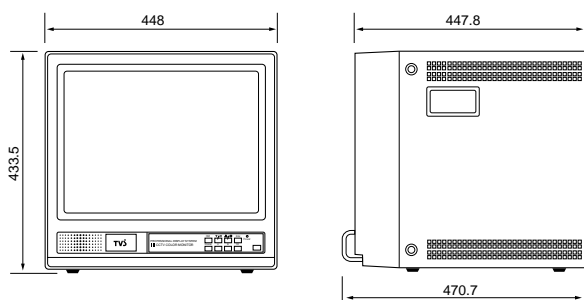
### User control



### Rear panel



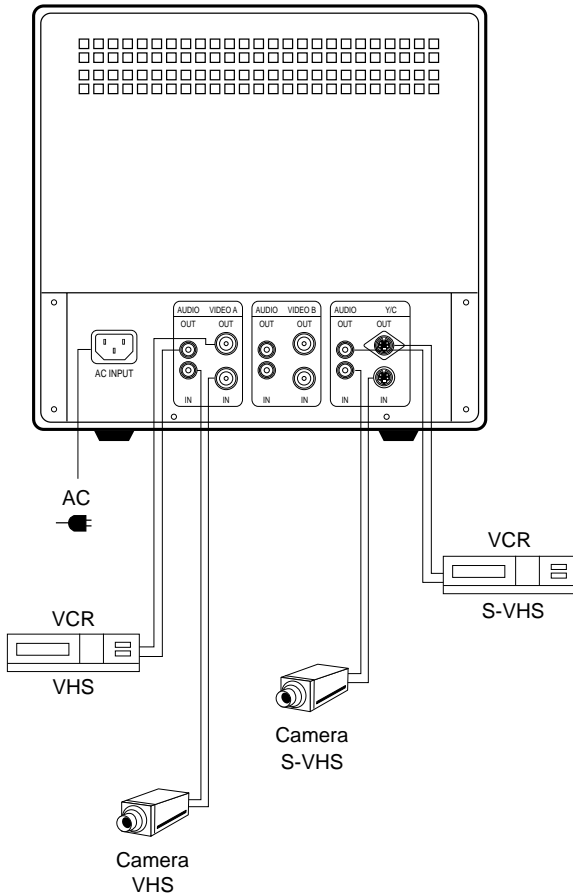
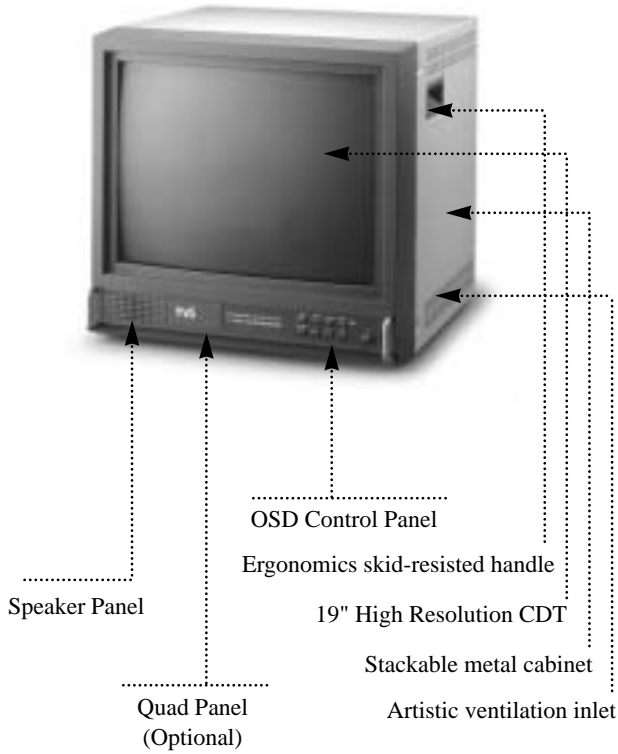
### Dimensions



### Specification

|                                     |  |
|-------------------------------------|--|
| <b>MODEL</b>                        | CH-19DXA   |
| <b>Picture Tube</b>                 | 19" 0.27mm color CDT   |
| <b>Horizontal Resolution</b>        | >800 TV lines (Center)   |
| <b>Scanning Frequency</b>           | 15.734 KHz/60 Hz (NTSC)<br>15.625 KHz/50 Hz (PAL)              |
| <b>Video Input</b>                  | Composite video 1.0 V p-p 75 Ω                                 |
| <b>Video Connections</b>            | Video BNC in x 2, Y/C in x 1<br>Video BNC out x 2, Y/C out x 1 |
| <b>Audio Connections</b>            | RCA in x 3<br>RCA out x 3                                      |
| <b>Control Front</b>                | Power on/off, O/U scan, OSD for...                             |
| <b>Aspect Ratio</b>                 | 4:3  |
| <b>Power Input</b>                  | AC 100 ~ 240V, 50/60 Hz  |
| <b>Power Consumption</b>            | 95W max  |
| <b>Dimensions (WxHxD) Packing</b>   | 575 x 550 x 590 mm   |
| <b>Product</b>                      | 448 x 433.5 x 447.8 mm   |
| <b>Weight Net</b>                   | 25 Kgs   |
| <b>Gross</b>                        | 30 Kgs   |
| <b>Operating Humidity Condition</b> | 10% ~ 90%  |
| <b>Operating Temperature Range</b>  | -10°C ~ +50°C  |

# Innovative Design of TVS DXA Series



### 1. Smart Sense

- ▶ Auto Video Loss Detect
- ▶ Auto No Signal Detect
- ▶ Auto Loop Through

### 2. Smart Control

- ▶ 3 Channels Auto/Manual Switching (2 Sets of BNC In/Out, 1 Set of Y/C In/Out)
- ▶ Over/Under scan (Push-push type on front panel)

### 3. Smart View

- ▶ On Screen Display (OSD)
- ▶ Multi-Language, OSD in Trilingual Language (English/Japanese/Chinese), Maximum extend to 8 kinds of language.
- ▶ Illustration and Numerical Instruction

|               |                  |
|---------------|------------------|
| 1. COLOR      | 6. VOLUME        |
| 2. TINT       | 7. SWITCHER MODE |
| 3. BRIGHTNESS | 8. LANGUAGE      |
| 4. CONTRAST   | 9. VERSION       |
| 5. SHARPNESS  | EXIT:OSD         |

### 4. Smart Systems

- ▶ PAL/NTSC Auto Detect
- ▶ AC100V ~ 240V Universal Power Source
- ▶ CVBS & Y/C Available, compatible with VCR, Camera, Multiplexer and Quad

### 5. Smart Tooling

- ▶ Modularized design in front bezel with speaker panel, quad panel and control panel. Can use change-code function for various outward to meet customer's distinct demands.